

Schematic diagrams, pcbs

Content

Abbreviations

MR8 Block diagram 1.775.035.00

D-type connectors pin assignments .. 1.775.035.15

- Fader start (1..8)
- Bus expansion
- VCA control

Mains transformer 1.775.200.81

Power supply unit 1.775.491.00
 (Schematic diagram => 1.775.451.00)

Connection unit 1.775.060.00
 (Schematic diagram => 1.775.070.00)

Input - output unit 1.775.070.00

Display unit 1.775.311.00

Input unit 1.775.420.81

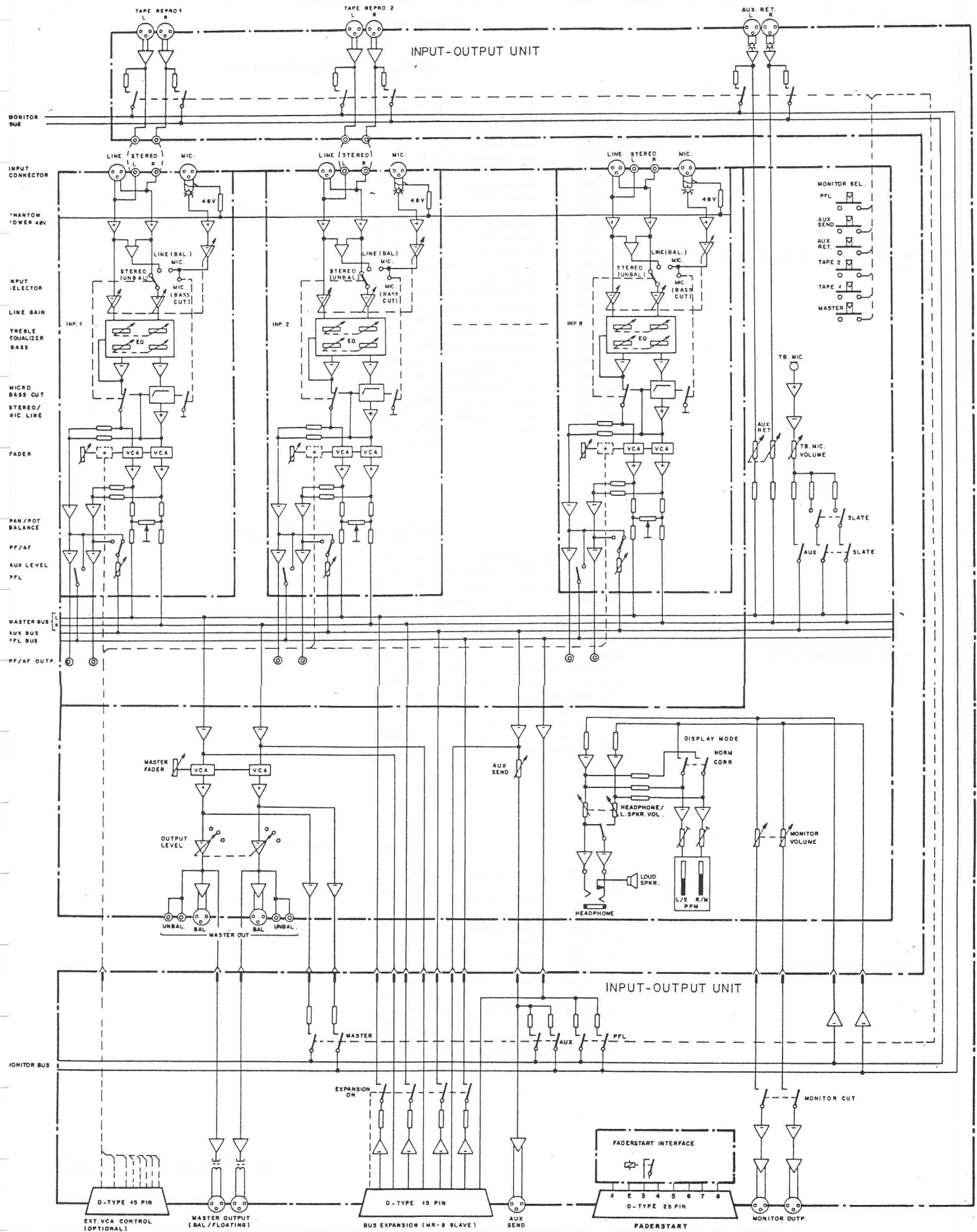
Master unit 1.775.430.81

Monitor unit 1.775.451.00

CR-monitor unit 1.775.470.00
 (Schematic diagram => 1.775.070.00)

VCA unit (optional) 1.775.485.00

Baugruppe (Assembly)	A	Assenbly
Antenne	ANT	Antenna
Glühlampe	B	Bulb
Batterie, Akku	BA	Battery, rechargeable battery
Optokoppler (Glühlampe → LDR)	BR	Optocupler (bulb → LDR)
Kondensator	C	Capacitor
Diode, DIAC	D	Diode, DIAC
LED	DL	LED
Optokoppler (LED → Fototransistor)	DLQ	Optocupler (LED → phototransistor)
Optokoppler (LED → LDR)	DLR	Optocopler (LED → LDR)
LED-Array, 7-Segment-Display	DLZ	LED-array, 7-segment-display
Fotodiode	DP	Photodiode
Gleichrichter	DZ	Rectifier
Elektronisches Bauelement	E	Electronic component
Kopfhörer	EF	Headphones
Sicherung	F	Fuse
Filter	FL	Filter
Kopf (Ton-, Lösch-)	H	Head (audio, erase)
Hybrid-Schaltung (Dick-/Dünnsfilm)	HC	Hybrid-circuit (thick-/thin-film)
Hallelement	HE	Hall-element
Integrierte Schaltung	IC	Integrated circuit
Steckbuchse (weiblich)	J	Socket (female)
Brückenstecker	JS	Jumper
Relais, Schütz	K	Relay, contactor
Induktivität	L	Inductor
Lautsprecher	LS	Loudspeaker
Motor	M	Motor
Messwerk	ME	Meter
Mikrofon	MIC	Microphone
Mechanisches Bauelement	MP	Mechanical part
Stecker (männlich)	P	Connector (male)
Tonabnehmer	PU	Phone cartridge
Transistor, FET, Thyristor, TRIAC	Q	Transistor, FET, Thyristor, TRIAC
Fototransistor	QP	Phototransistor
Fototransistor-Array	QPZ	Phototransistor-array
Widerstand	R	Resistor
Lichtempfindlicher Widerstand, LDR	RP	Light-sensitive resistor, LDR
Temperaturabhängiger Widerstand	RT	Temperature-dependent resistor
Widerstandsnetzwerk	RZ	Resistor network
Schalter	S	Switch
Transformator	T	Transformer
Verzögerungsleitung	TL	Delay line
Testpunkt, -buchse	TP	Test point, test socket
Draht, Litze	W	Wire, standard wire
Sockel, Halter	X	Base, holder
Lampensockel	XB	Lamp base
Sicherungshalter	XF	Fuse holder
IC-Fassung	XIC	IC-socket
Quarz, Piezo-Element	Y	Crystal, piezo element
Netzwerk, Array	Z	Network, array



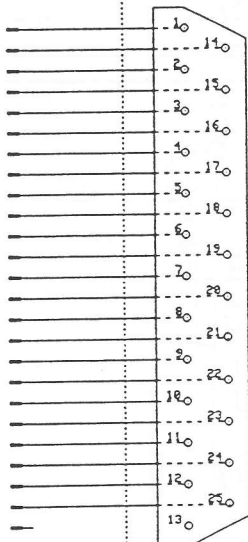
- INPUT EL. BALANCED WITH XLR CONNECTOR
- INPUT/OUTP. UNBALANCED WITH CINCH CONNECTOR
- INP. BALANCED/FLOATING
- OUTP. EL. BALANCED
- OUTP. BALANCED/FLOATING WITH XLR CONN.
- CONNECTION BETWEEN MIXER AND IN/OUTPUT UNIT
- JACK SOCKET 1/4"

 STUDER REGENSDORF ZÜRICH	MIXER - MR-8 BLOCK DIAGRAM	SC 1.775.035.00
---	---	-----------------

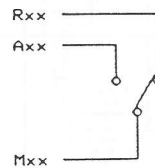
BACK PANEL

FADERSTART 1-8 CH
J11

- 1: A1
- 14: M1
- 2: R1
- 15: A2
- 3: M2
- 16: R2
- 4: A3
- 17: M3
- 5: R3
- 18: A4
- 6: M4
- 19: R4
- 7: A5
- 20: M5
- 8: R5
- 21: A8
- 9: M8
- 22: R8
- 10: A7
- 23: M7
- 11: R7
- 24: A6
- 12: M6
- 25: R6
- 13: NC



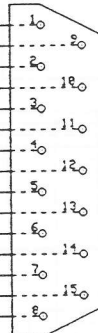
25p, female



BUS EXPANSION

- 1: MBR-IN
- 9: BC
- 2: MBL-IN
- 10: 0U-S
- 3: SB-IN
- 11: 0U-S
- 4: PFLB-IN
- 12: 0U-S
- 5: MBR-OUT
- 13: 0U-S
- 6: MBL-OUT
- 14: 0U-S
- 7: SB-OUT
- 15: 0U-S
- 8: PFL-OUT

D-Type

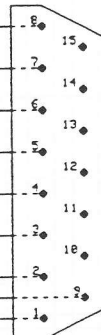


15p, female

UCA CONTROL

- 8: CH8
- 15: NC
- 7: CH7
- 14: NC
- 6: CH6
- 13: NC
- 5: CH5
- 12: NC
- 4: CH4
- 11: NC
- 3: CH3
- 10: NC
- 2: CH2
- 9: 0U
- 1: CH1

D-Type

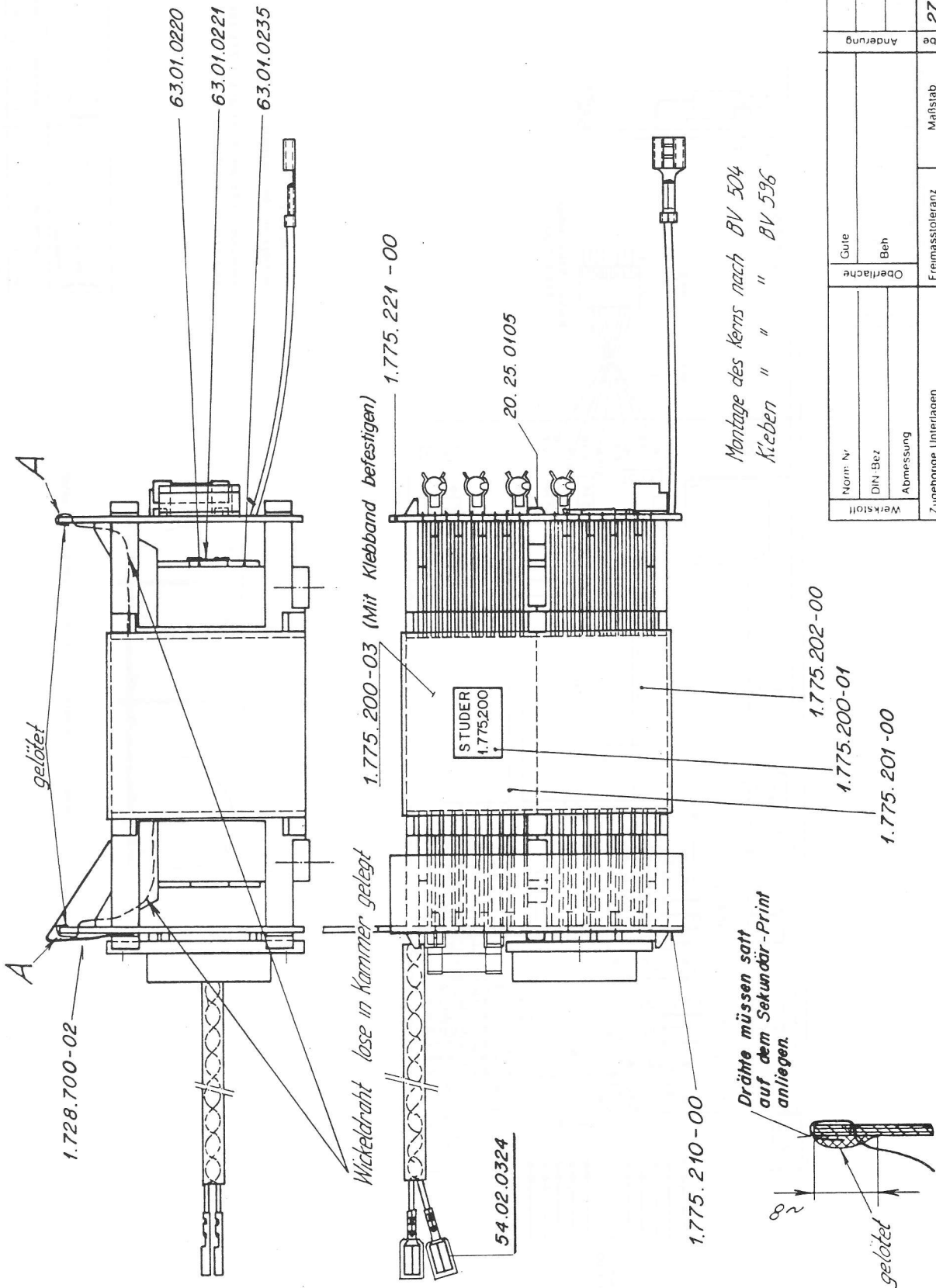


15p, male

Konstruktionsbüro

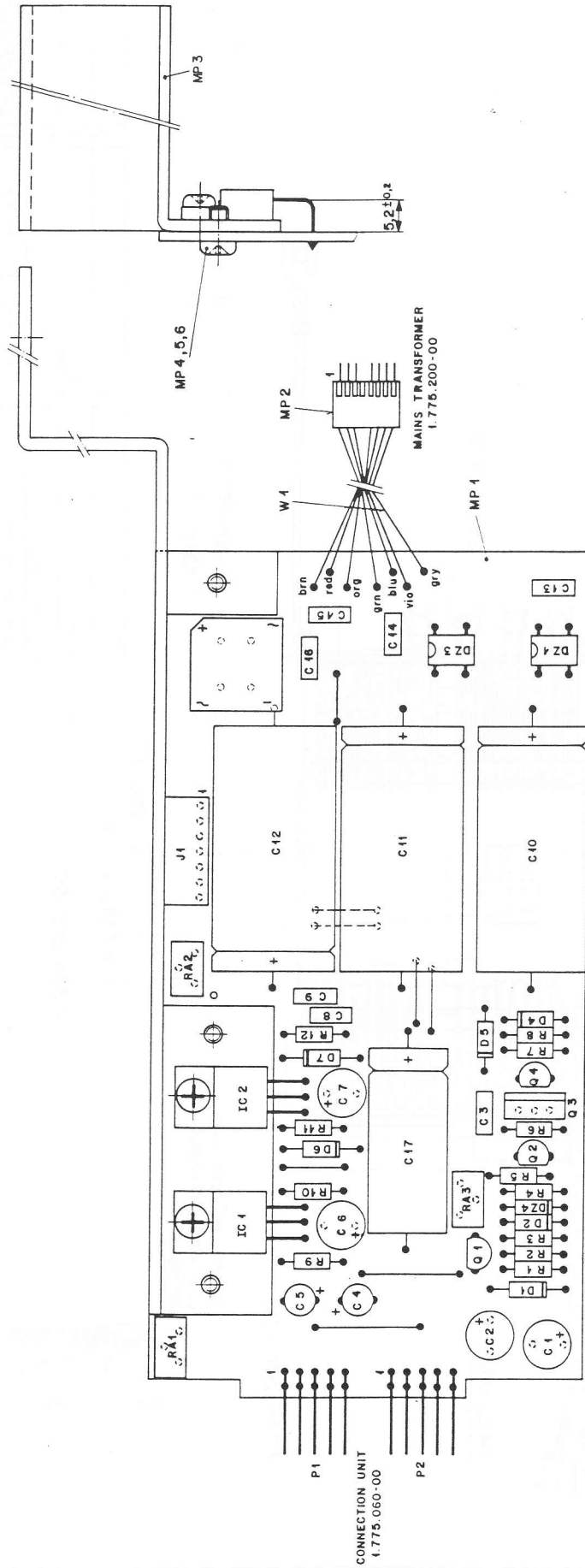
24. FEB. 1992

© FEB-14-92 KG				
		MIXING CONSOLE MR 8-2		PAGE 1 OF 1
REVOX	D-TYPE CONNECTOR	MR-8	PIN-POSITION	SC 1.775.035.15

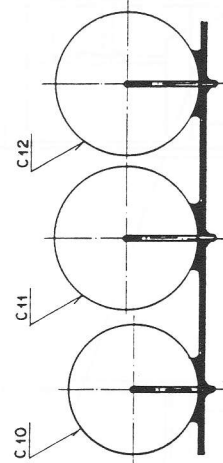


Montage des Kerns nach BV 504
 Kleben " " " " " " BV 536

Norm-Nr DIN-Bez Abmessung	Güte	Freimasttoleranz 1.1/2.1	Datum 27.1.92	Gez	Gepr	Ges	Index								
	Überfläche														
	Änderung														
Zugehörige Unterlagen	Ersatz für		Kopie für		Ausgabe										
1.775.200-03	1.775.201-00		27.1.92		Gez		Ausgabe								
Ersatz für								Kopie für							
STUDER REGENSDORF ZÜRICH								Benennung							
C 279								1.775.200-81							
Mains-Transformer								Nummer							



IC 1 und IC 2
 Montage und Montagematerial nach BV 632
 Warnschild - ESE und Nr. Etikette 1.775.494-01
 nach Fabr. Muster aufgeklebt.



Kondensatoren mit Kleber 99.01.0130 auf ganze Länge geklebt.

Norm-Nr.:	GuTe	Änderung	3
DIN-Bez.:	Beh.	Änderung	2
Abmessung:	Freimaßtoleranz:	Änderung	1
Zugehörige Unterlagen:	Maßstab:	Gepr.	0
PL 1, LL	2 : 1	Datum	12.12.91
Erstellt von:	Erstellt durch:	Gepr.	
		Gepr.	
		Kopie Nr.	
STUEBEL REGENSDORF		Nennung	
POWER SUPPLY ESE		1.775.494-00	

1.775.491.00 POWER SUPPLY

Ad	..Pos..	...Ref.No...	Description
C.....1		59.22.8100	10 uF	-20%, 63V, EL
C.....2		59.22.8100	10 uF	-20%, 63V, EL
C.....3		59.06.0102	1 nF	10%, 25V, PETP
C.....4		59.22.6100	10 uF	-20%, 25V, EL
C.....5		59.22.6100	10 uF	-20%, 25V, EL
C.....6		59.22.5101	100 uF	-20%, 25V, EL
C.....7		59.22.5101	100 uF	-20%, 25V, EL
C.....8		59.06.0104	100 nF	10%, 25V, PETP
C.....9		59.06.0104	100 nF	10%, 25V, PETP
C.....10		59.25.7471	470uF	-20%,100V, EL
C.....11		59.25.5222	2200uF	-20%, 40V, EL
C.....12		59.25.5222	2200uF	-20%, 40V, EL
C.....13		59.06.0104	100 nF	10%, 25V, PETP
C.....14		59.06.0104	100 nF	10%, 25V, PETP
C.....15		59.06.0104	100 nF	10%, 25V, PETP
C.....16		59.06.0104	100 nF	10%, 25V, PETP
C.....17		59.25.3222	2200uF	-20%, 16V, EL
D.....1		50.04.0105	1N 4004	
D.....2		50.04.0125	1N 4448	
D.....4		50.04.0125	1N 4448	
D.....5		50.04.0125	1N 4448	
D.....6		50.04.0105	1N 4004	
D.....7		50.04.0105	1N 4004	
DZ....1		70.01.0216		140V 0.8A
DZ....2		70.01.0226		280V 2.0A
DZ....3		70.01.0216		140V 0.8A
DZ....4		50.04.1108	5.6V Z	
IC....1		50.10.0105	LM337	NS
IC....2		50.10.0104	LM317	NS
J.....1		54.01.0263	7-Pole	CIS
MP....1	1.775.490.11			POWER SUPPLY PCB
MP....2	54.01.0265		8-Pole	CIS
MP....3	1.775.035.05			Heat Sink
MP....4	21.38.0353			Screw
MP....5	21.38.0353			Screw
MP....6	21.38.0353			Screw
MP....7	21.38.0355			Screw
MP....8	21.38.0355			Screw
MP....9	37.01.0101			Washer
MP....10	37.01.0101			Washer
MP....11	37.01.0101			Washer
MP....12	37.01.0101			Washer
MP....13	50.20.0404			Insulating bushing
MP....14	50.20.0404			Insulating bushing
MP....15	50.20.0305			Insulator
MP....16	50.20.0305			Insulator
MP....17	1.010.098.27			Washer
MP....18	1.010.098.27			Washer
MP....19	1.775.491.01			Nr. Label
MP....20	43.01.0108			ESE Label
P.....1	54.01.0425		5-Pole	CIS
P.....2	54.01.0425		5-Pole	CIS
Q.....1	50.03.0491		BC 546	NPN
Q.....2	50.03.0491		BC 546	NPN
Q.....3	50.03.0512		BD 899A	NPN
Q.....4	50.03.0492		BC 556	PNP
R.....1	57.11.3223		22 KOhm	1%, 0.25W, MF
R.....2	57.11.3101		100 Ohm	1%, 0.25W, MF
R.....3	57.11.3223		22 KOhm	1%, 0.25W, MF
R.....4	57.11.3911		910 Ohm	1%, 0.25W, MF
R.....5	57.11.3752		7.5 KOhm	1%, 0.25W, MF
R.....6	57.11.3272		2.7 KOhm	1%, 0.25W, MF
R.....7	57.11.3222		2.2 KOhm	1%, 0.25W, MF
R.....8	57.11.3569		5.6 Ohm	1%, 0.25W, MF
R.....9	57.11.3241		240 Ohm	1%, 0.25W, MF
R.....10	57.11.3182		1.8 KOhm	1%, 0.25W, MF
R.....11	57.11.3241		240 Ohm	1%, 0.25W, MF
R.....12	57.11.3202		2.0 KOhm	1%, 0.25W, MF
RA....1	58.01.9102		1.0 KOhm	-10%, 0.50W, C
RA....2	58.01.9102		1.0 KOhm	-10%, 0.50W, C
RA....3	58.01.9201		200 Ohm	-10%, 0.50W, C
W.....1	1.775.300.93			Wire List

KG 92/01/2200

EL=Electrolytic, C=Ceramic, PETP=Polyester
MF=Metal Film

MANUFACTURER: NS=National Semiconductor

END

1.775.060.00 CONNECTION UNIT

Ad	Pos.	Ref.No.	Description						
C....1		59.32.2681	680 pF	10%, 25V,	C	IC..500	50.05.0244	NE5534A	Sig
C....2		59.32.2681	680 pF	10%, 25V,	C	IC..600	50.05.0244	NE5534A	Sig
C....3		59.32.2681	680 pF	10%, 25V,	C	IC..700	50.05.0244	NE5534A	Sig
C....4		59.32.2681	680 pF	10%, 25V,	C	IC..800	50.05.0244	NE5534A	Sig
C....5		59.32.2681	680 pF	10%, 25V,	C	J....1	54.21.1020	4-Pole	Pin Jacks
C....6		59.32.2681	680 pF	10%, 25V,	C	J....2	54.01.0237	20-Pole	CIS
C....7		59.32.2681	680 pF	10%, 25V,	C	J....3	54.01.0236	12-Pole	CIS
C....8		59.22.8470	47 uF	-20%, 63V,	EL	J....4	54.01.0238	6-Pole	CIS
C....9		59.32.2681	680 pF	10%, 25V,	C	J....5	54.01.0236	12-Pole	CIS
C...100		59.05.1102	1 nF	1%, 25V,	PP	J....6	54.01.0310	14-Pole	CIS
C...101		59.05.1102	1 nF	1%, 25V,	PP	J...100	54.21.2002		XLR
C...102		59.06.0104	100 nF	10%, 25V,	PETP	J...101	54.21.2002		XLR
C...103		59.34.2220	22 pF	10%, 25V,	C	J...102	54.21.1020	4-Pole	Pin Jacks
C...104		59.34.1100	10 pF	10%, 25V,	C	J...103	54.01.0300	14-Pole	CIS
C...105		59.32.2681	680 pF	10%, 25V,	C	J...200	54.21.2002		XLR
C...106		59.34.4221	220 pF	10%, 25V,	C	J...201	54.21.2002		XLR
C...107		59.32.2681	680 pF	10%, 25V,	C	J...202	54.21.1020	4-Pole	Pin Jacks
C...108		59.32.2681	680 pF	10%, 25V,	C	J...203	54.01.0300	14-Pole	CIS
C...109		59.32.2681	680 pF	10%, 25V,	C	J...300	54.21.2002		XLR
C...200		59.05.1102	1 nF	1%, 25V,	PP	J...301	54.21.2002		XLR
C...201		59.05.1102	1 nF	1%, 25V,	PP	J...302	54.21.1020	4-Pole	Pin Jacks
C...202		59.06.0104	100 nF	10%, 25V,	PETP	J...303	54.01.0300	14-Pole	CIS
C...203		59.34.2220	22 pF	10%, 25V,	C	J...400	54.21.2002		XLR
C...204		59.34.1100	10 pF	10%, 25V,	C	J...401	54.21.2002		XLR
C...205		59.32.2681	680 pF	10%, 25V,	C	J...402	54.21.1020	4-Pole	Pin Jacks
C...206		59.34.4221	220 pF	10%, 25V,	C	J...403	54.01.0300	14-Pole	CIS
C...207		59.32.2681	680 pF	10%, 25V,	C	J...500	54.21.2002		XLR
C...208		59.32.2681	680 pF	10%, 25V,	C	J...501	54.21.2002		XLR
C...209		59.32.2681	680 pF	10%, 25V,	C	J...502	54.21.1020	4-Pole	Pin Jacks
C...300		59.05.1102	1 nF	1%, 25V,	PP	J...503	54.01.0300	14-Pole	CIS
C...301		59.05.1102	1 nF	1%, 25V,	PP	J...600	54.21.2002		XLR
C...302		59.06.0104	100 nF	10%, 25V,	PETP	J...601	54.21.2002		XLR
C...303		59.34.2220	22 pF	10%, 25V,	C	J...602	54.21.1020	4-Pole	Pin Jacks
C...304		59.34.1100	10 pF	10%, 25V,	C	J...603	54.01.0300	14-Pole	CIS
C...305		59.32.2681	680 pF	10%, 25V,	C	J...700	54.21.2002		XLR
C...306		59.34.4221	220 pF	10%, 25V,	C	J...701	54.21.2002		XLR
C...307		59.32.2681	680 pF	10%, 25V,	C	J...702	54.21.1020	4-Pole	Pin Jacks
C...308		59.32.2681	680 pF	10%, 25V,	C	J...703	54.01.0300	14-Pole	CIS
C...309		59.32.2681	680 pF	10%, 25V,	C	J...800	54.21.2002		XLR
C...400		59.05.1102	1 nF	1%, 25V,	PP	J...801	54.21.2002		XLR
C...401		59.05.1102	1 nF	1%, 25V,	PP	J...802	54.21.1020	4-Pole	Pin Jacks
C...402		59.06.0104	100 nF	10%, 25V,	PETP	J...803	54.01.0300	14-Pole	CIS
C...403		59.34.2220	22 pF	10%, 25V,	C	L...100	1.022.207.00		ST
C...404		59.34.1100	10 pF	10%, 25V,	C	L...200	1.022.207.00		ST
C...405		59.32.2681	680 pF	10%, 25V,	C	L...300	1.022.207.00		ST
C...406		59.34.4221	220 pF	10%, 25V,	C	L...400	1.022.207.00		ST
C...407		59.32.2681	680 pF	10%, 25V,	C	L...500	1.022.207.00		ST
C...408		59.32.2681	680 pF	10%, 25V,	C	L...600	1.022.207.00		ST
C...409		59.32.2681	680 pF	10%, 25V,	C	L...700	1.022.207.00		ST
C...500		59.05.1102	1 nF	1%, 25V,	PP	L...800	1.022.207.00		ST
C...501		59.05.1102	1 nF	1%, 25V,	PP	MP....1	1.775.060.11		Connection Unit PCB
C...502		59.06.0104	100 nF	10%, 25V,	PETP	MP....2	1.775.320.01		Screening
C...503		59.34.2220	22 pF	10%, 25V,	C	MP....3	1.775.060.01		Nr. Label
C...504		59.34.1100	10 pF	10%, 25V,	C	MP....4	43.01.0108		ESE Label
C...505		59.32.2681	680 pF	10%, 25V,	C	P....1	54.21.2001		XLR
C...506		59.34.4221	220 pF	10%, 25V,	C	P....2	54.21.2001		XLR
C...507		59.32.2681	680 pF	10%, 25V,	C	R....1	57.11.3689	6.8 Ohm	1%, 0.25W, MF
C...508		59.32.2681	680 pF	10%, 25V,	C	R....2	57.11.3689	6.8 Ohm	1%, 0.25W, MF
C...509		59.32.2681	680 pF	10%, 25V,	C	R....3	57.11.3689	6.8 Ohm	1%, 0.25W, MF
C...600		59.05.1102	1 nF	1%, 25V,	PP	R....4	57.11.3689	6.8 Ohm	1%, 0.25W, MF
C...601		59.05.1102	1 nF	1%, 25V,	PP	R....5	57.11.3102	1 KOhm	1%, 0.25W, MF
C...602		59.06.0104	100 nF	10%, 25V,	PETP	R....6	57.11.3102	1 KOhm	1%, 0.25W, MF
C...603		59.34.2220	22 pF	10%, 25V,	C	R....7	57.11.3102	1 KOhm	1%, 0.25W, MF
C...604		59.34.1100	10 pF	10%, 25V,	C	R....8	57.11.3102	1 KOhm	1%, 0.25W, MF
C...605		59.32.2681	680 pF	10%, 25V,	C	R...100	57.99.0250	6.8 KOhm	0.1%, 0.25W, MF
C...606		59.34.4221	220 pF	10%, 25V,	C	R...101	57.99.0250	6.8 KOhm	0.1%, 0.25W, MF
C...607		59.32.2681	680 pF	10%, 25V,	C	R...102	57.11.3103	10 KOhm	1%, 0.25W, MF
C...608		59.32.2681	680 pF	10%, 25V,	C	R...103	57.11.3103	10 KOhm	1%, 0.25W, MF
C...609		59.32.2681	680 pF	10%, 25V,	C	R...104	57.11.3123	12 KOhm	1%, 0.25W, MF
C...700		59.05.1102	1 nF	1%, 25V,	PP	R...105	57.11.3102	1 KOhm	1%, 0.25W, MF
C...701		59.05.1102	1 nF	1%, 25V,	PP	R...106	57.11.3102	1 KOhm	1%, 0.25W, MF
C...702		59.06.0104	100 nF	10%, 25V,	PETP	R...107	57.11.3271	270 Ohm	1%, 0.25W, MF
C...703		59.34.2220	22 pF	10%, 25V,	C	R...108	57.11.3561	560 Ohm	1%, 0.25W, MF
C...704		59.34.1100	10 pF	10%, 25V,	C	R...109	57.11.3150	15 Ohm	1%, 0.25W, MF
C...705		59.32.2681	680 pF	10%, 25V,	C	R...110	57.11.3150	15 Ohm	1%, 0.25W, MF
C...706		59.34.4221	220 pF	10%, 25V,	C	R...200	57.99.0250	6.8 KOhm	0.1%, 0.25W, MF
C...707		59.32.2681	680 pF	10%, 25V,	C	R...201	57.99.0250	6.8 KOhm	0.1%, 0.25W, MF
C...708		59.32.2681	680 pF	10%, 25V,	C	R...202	57.11.3103	10 KOhm	1%, 0.25W, MF
C...709		59.32.2681	680 pF	10%, 25V,	C	R...203	57.11.3103	10 KOhm	1%, 0.25W, MF
C...800		59.05.1102	1 nF	1%, 25V,	PP	R...204	57.11.3123	12 KOhm	1%, 0.25W, MF
C...801		59.05.1102	1 nF	1%, 25V,	PP	R...205	57.11.3102	1 KOhm	1%, 0.25W, MF
C...802		59.06.0104	100 nF	10%, 25V,	PETP	R...206	57.11.3102	1 KOhm	1%, 0.25W, MF
C...803		59.34.2220	22 pF	10%, 25V,	C	R...207	57.11.3271	270 Ohm	1%, 0.25W, MF
C...804		59.34.1100	10 pF	10%, 25V,	C	R...208	57.11.3561	560 Ohm	1%, 0.25W, MF
C...805		59.32.2681	680 pF	10%, 25V,	C	R...209	57.11.3150	15 Ohm	1%, 0.25W, MF
C...806		59.34.4221	220 pF	10%, 25V,	C	R...210	57.11.3150	15 Ohm	1%, 0.25W, MF
C...807		59.32.2681	680 pF	10%, 25V,	C	R...300	57.99.0250	6.8 KOhm	0.1%, 0.25W, MF
C...808		59.32.2681	680 pF	10%, 25V,	C	R...301	57.99.0250	6.8 KOhm	0.1%, 0.25W, MF
C...809		59.32.2681	680 pF	10%, 25V,	C	R...302	57.11.3103	10 KOhm	1%, 0.25W, MF
IC..100		50.05.0244	NE5534A			R...303	57.11.3103	10 KOhm	1%, 0.25W, MF
IC..200		50.05.0244	NE5534A			R...304	57.11.3123	12 KOhm	1%, 0.25W, MF
IC..300		50.05.0244	NE5534A			R...305	57.11.3102	1 KOhm	1%, 0.25W, MF
IC..400		50.05.0244	NE5534A			R...306	57.11.3102	1 KOhm	1%, 0.25W, MF

1.775.060.00 CONNECTION UNIT (CONT.)

Ad	..Pos..	...Ref.No...	Description	
R...	307	57.11.3271	270 Ohm	1%, 0.25W, MF
R...	308	57.11.3561	560 Ohm	1%, 0.25W, MF
R...	309	57.11.3150	15 Ohm	1%, 0.25W, MF
R...	310	57.11.3150	15 Ohm	1%, 0.25W, MF
R...	400	57.99.0250	6.8 KOhm	0.1%, 0.25W, MF
R...	401	57.99.0250	6.8 KOhm	0.1%, 0.25W, MF
R...	402	57.11.3103	10 KOhm	1%, 0.25W, MF
R...	403	57.11.3103	10 KOhm	1%, 0.25W, MF
R...	404	57.11.3123	12 KOhm	1%, 0.25W, MF
R...	405	57.11.3102	1 KOhm	1%, 0.25W, MF
R...	406	57.11.3102	1 KOhm	1%, 0.25W, MF
R...	407	57.11.3271	270 Ohm	1%, 0.25W, MF
R...	408	57.11.3561	560 Ohm	1%, 0.25W, MF
R...	409	57.11.3150	15 Ohm	1%, 0.25W, MF
R...	410	57.11.3150	15 Ohm	1%, 0.25W, MF
R...	500	57.99.0250	6.8 KOhm	0.1%, 0.25W, MF
R...	501	57.99.0250	6.8 KOhm	0.1%, 0.25W, MF
R...	502	57.11.3103	10 KOhm	1%, 0.25W, MF
R...	503	57.11.3103	10 KOhm	1%, 0.25W, MF
R...	504	57.11.3123	12 KOhm	1%, 0.25W, MF
R...	505	57.11.3102	1 KOhm	1%, 0.25W, MF
R...	506	57.11.3102	1 KOhm	1%, 0.25W, MF
R...	507	57.11.3271	270 Ohm	1%, 0.25W, MF
R...	508	57.11.3561	560 Ohm	1%, 0.25W, MF
R...	509	57.11.3150	15 Ohm	1%, 0.25W, MF
R...	510	57.11.3150	15 Ohm	1%, 0.25W, MF
R...	600	57.99.0250	6.8 KOhm	0.1%, 0.25W, MF
R...	601	57.99.0250	6.8 KOhm	0.1%, 0.25W, MF
R...	602	57.11.3103	10 KOhm	1%, 0.25W, MF
R...	603	57.11.3103	10 KOhm	1%, 0.25W, MF
R...	604	57.11.3123	12 KOhm	1%, 0.25W, MF
R...	605	57.11.3102	1 KOhm	1%, 0.25W, MF
R...	606	57.11.3102	1 KOhm	1%, 0.25W, MF
R...	607	57.11.3271	270 Ohm	1%, 0.25W, MF
R...	608	57.11.3561	560 Ohm	1%, 0.25W, MF
R...	609	57.11.3150	15 Ohm	1%, 0.25W, MF
R...	610	57.11.3150	15 Ohm	1%, 0.25W, MF
R...	700	57.99.0250	6.8 KOhm	0.1%, 0.25W, MF
R...	701	57.99.0250	6.8 KOhm	0.1%, 0.25W, MF
R...	702	57.11.3103	10 KOhm	1%, 0.25W, MF
R...	703	57.11.3103	10 KOhm	1%, 0.25W, MF
R...	704	57.11.3123	12 KOhm	1%, 0.25W, MF
R...	705	57.11.3102	1 KOhm	1%, 0.25W, MF
R...	706	57.11.3102	1 KOhm	1%, 0.25W, MF
R...	707	57.11.3271	270 Ohm	1%, 0.25W, MF
R...	708	57.11.3561	560 Ohm	1%, 0.25W, MF
R...	709	57.11.3150	15 Ohm	1%, 0.25W, MF
R...	710	57.11.3150	15 Ohm	1%, 0.25W, MF
R...	800	57.99.0250	6.8 KOhm	0.1%, 0.25W, MF
R...	801	57.99.0250	6.8 KOhm	0.1%, 0.25W, MF
R...	802	57.11.3103	10 KOhm	1%, 0.25W, MF
R...	803	57.11.3103	10 KOhm	1%, 0.25W, MF
R...	804	57.11.3123	12 KOhm	1%, 0.25W, MF
R...	805	57.11.3102	1 KOhm	1%, 0.25W, MF
R...	806	57.11.3102	1 KOhm	1%, 0.25W, MF
R...	807	57.11.3271	270 Ohm	1%, 0.25W, MF
R...	808	57.11.3561	560 Ohm	1%, 0.25W, MF
R...	809	57.11.3150	15 Ohm	1%, 0.25W, MF
R...	810	57.11.3150	15 Ohm	1%, 0.25W, MF
S....	1	55.12.0011		2*2u
S....	2	55.12.0006		3*2u
T...	100	1.022.417.00	1:3.16	ST
T...	200	1.022.417.00	1:3.16	ST
T...	300	1.022.417.00	1:3.16	ST
T...	400	1.022.417.00	1:3.16	ST
T...	500	1.022.417.00	1:3.16	ST
T...	600	1.022.417.00	1:3.16	ST
T...	700	1.022.417.00	1:3.16	ST
T...	800	1.022.417.00	1:3.16	ST
XIC.	100	53.03.0166	8-pole	IC-Socket
XIC.	200	53.03.0166	8-pole	IC-Socket
XIC.	300	53.03.0166	8-pole	IC-Socket
XIC.	400	53.03.0166	8-pole	IC-Socket
XIC.	500	53.03.0166	8-pole	IC-Socket
XIC.	600	53.03.0166	8-pole	IC-Socket
XIC.	700	53.03.0166	8-pole	IC-Socket
XIC.	800	53.03.0166	8-pole	IC-Socket

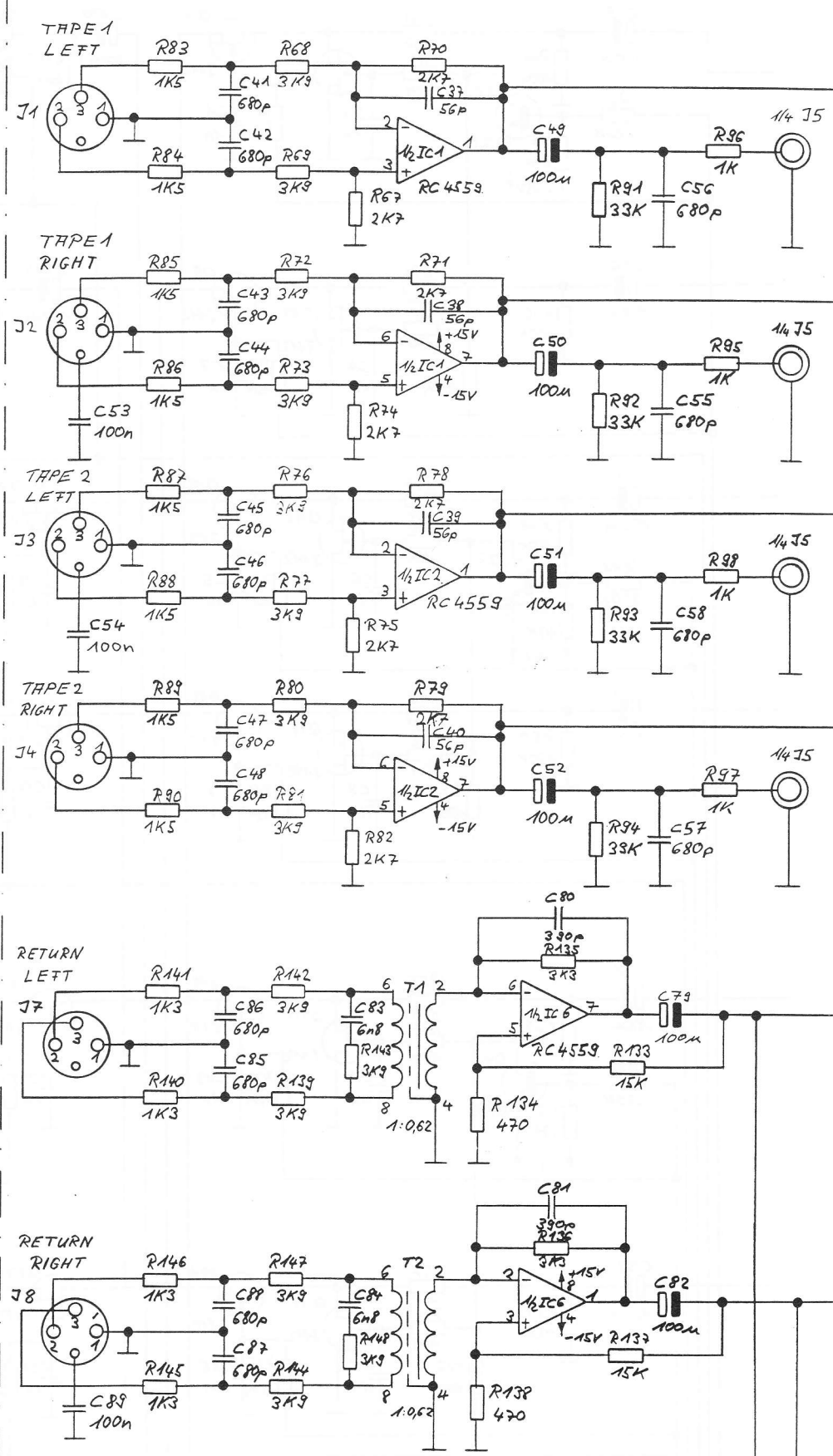
Input Channel 1-8 : NO. 100..- 800..
 Master Channel : NO. 1....

KG 92/01/2200

Mf=Metafilm
 C=Ceramic,PETP=Polyester,EL=Electrolytic,PP=Polypropylen

MANUFACTURER: Sig=Signetics, ST=Studer

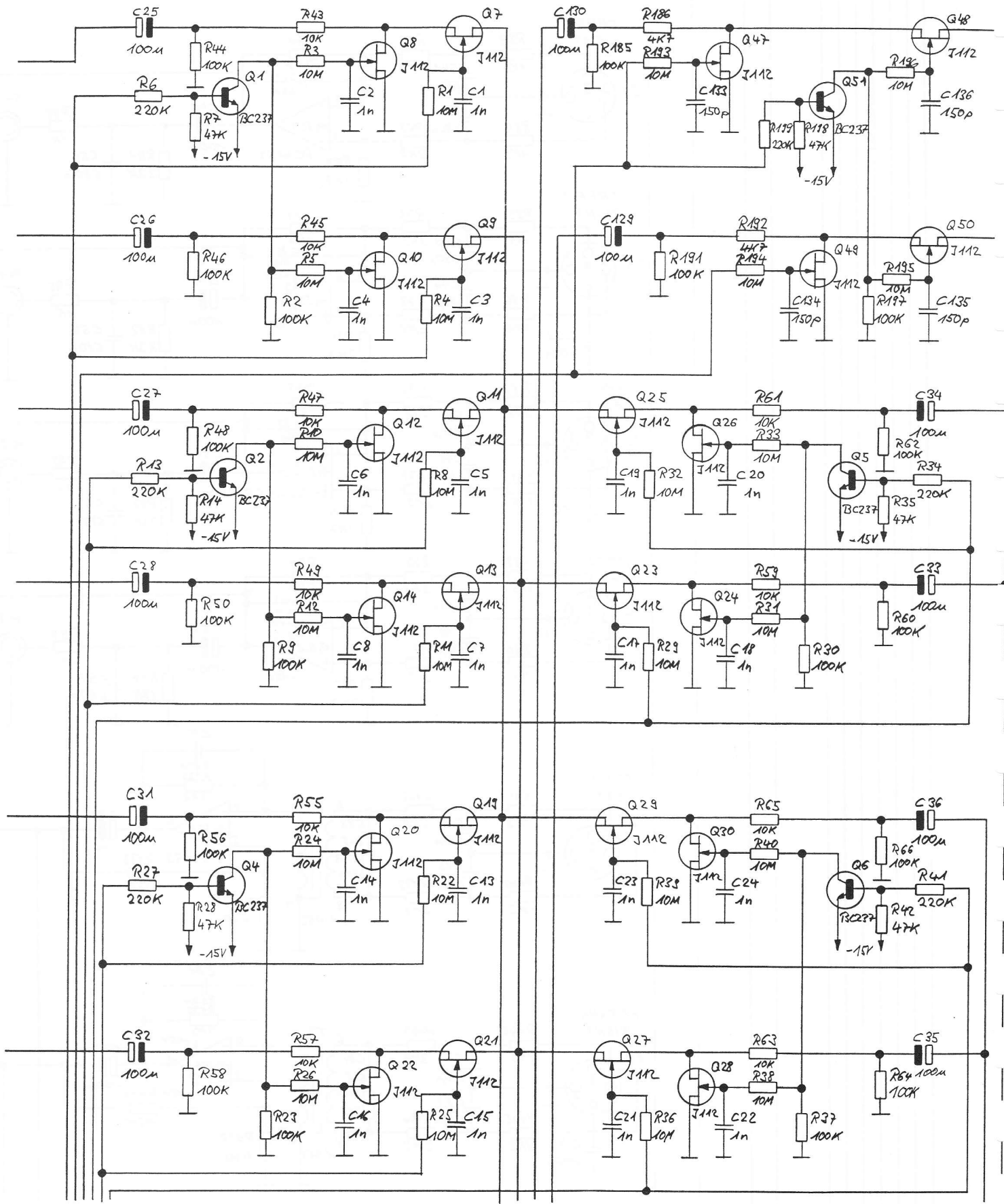
END

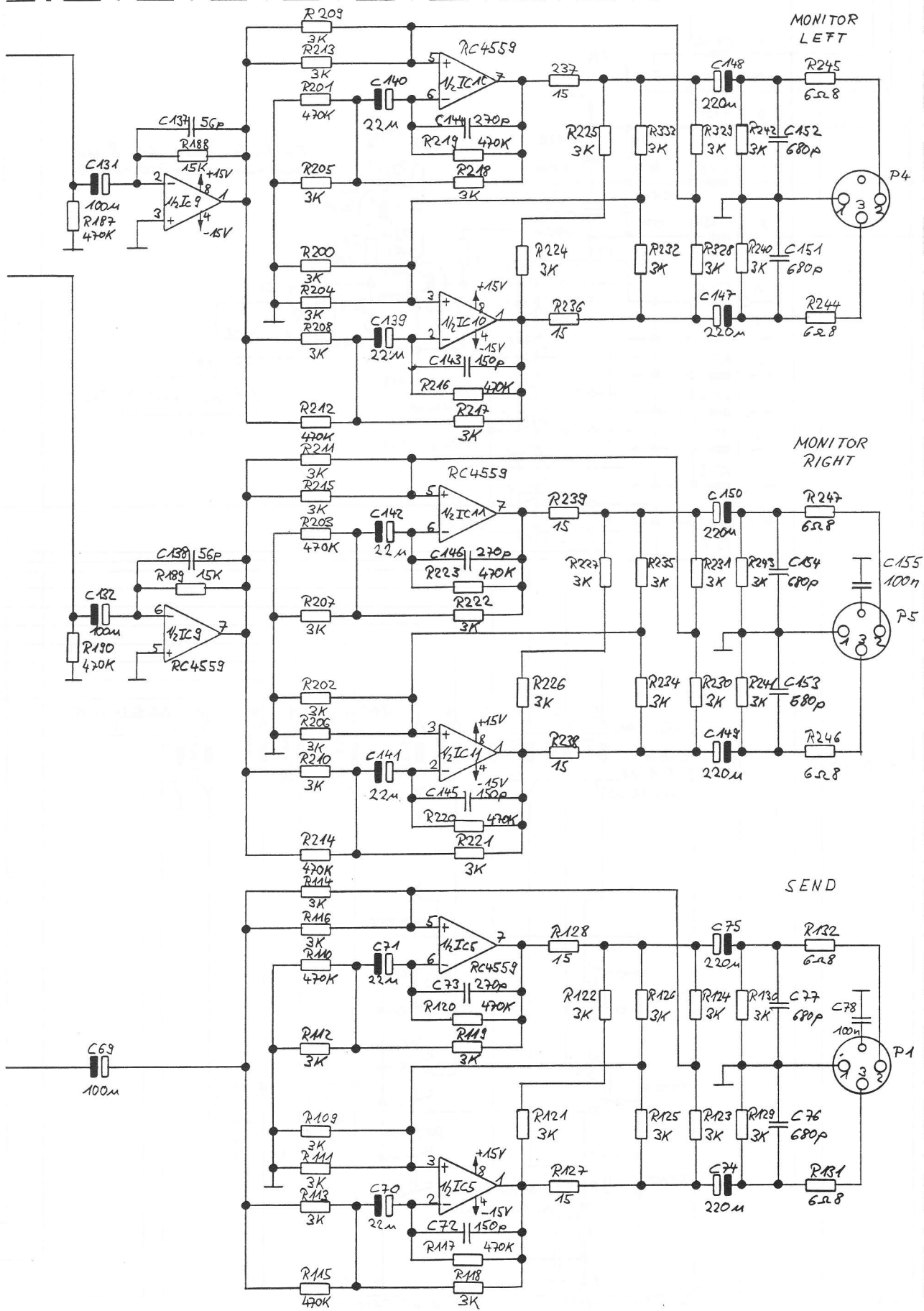


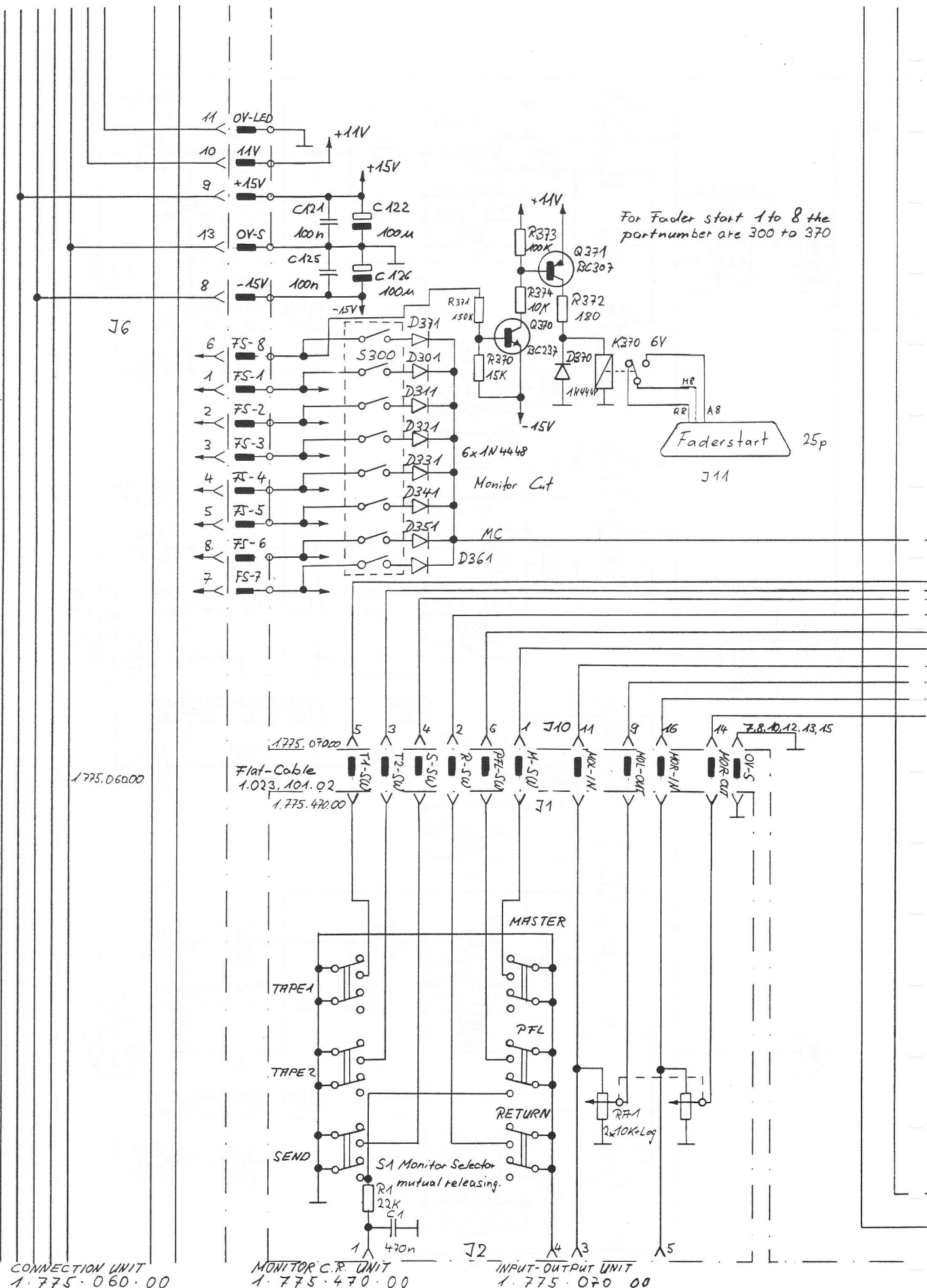
CONNECTION UNIT
1.775.060.00

INPUT-OUTPUT UNIT
1.775.070.00

① 26.11.91 G. Koesthammer	○ ..	○ ..	○ ..	○ ..
MIXING CONSOLE MR-8			PAGE 1 OF 6	
STUDER			SC	1.775.070.00







For Fader start 1 to 8 the partnumber are 300 to 370

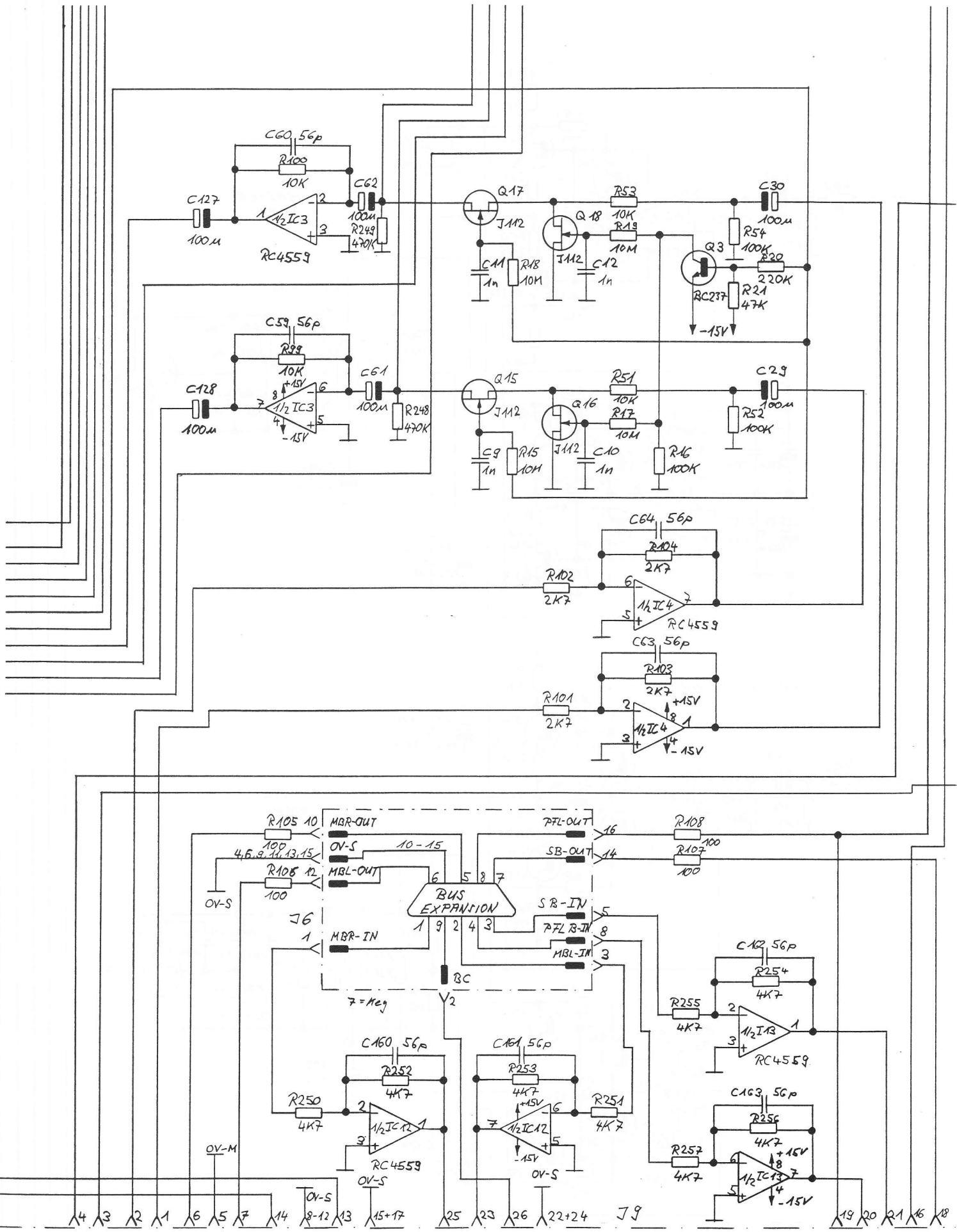
1.775.060.00

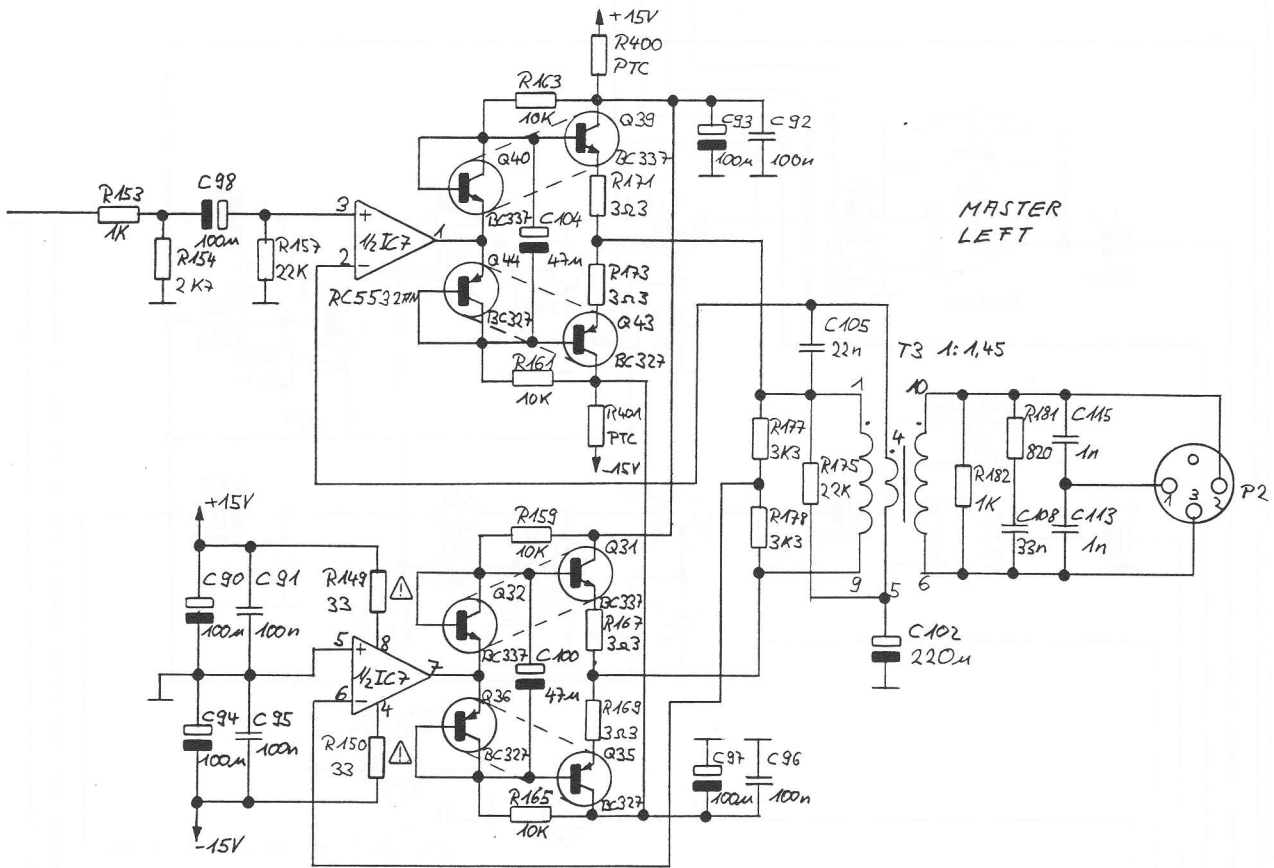
1.775.070.00
 Flat-Cable 1.023.101.02
 1.775.470.00

CONNECTION UNIT
 1.775.060.00

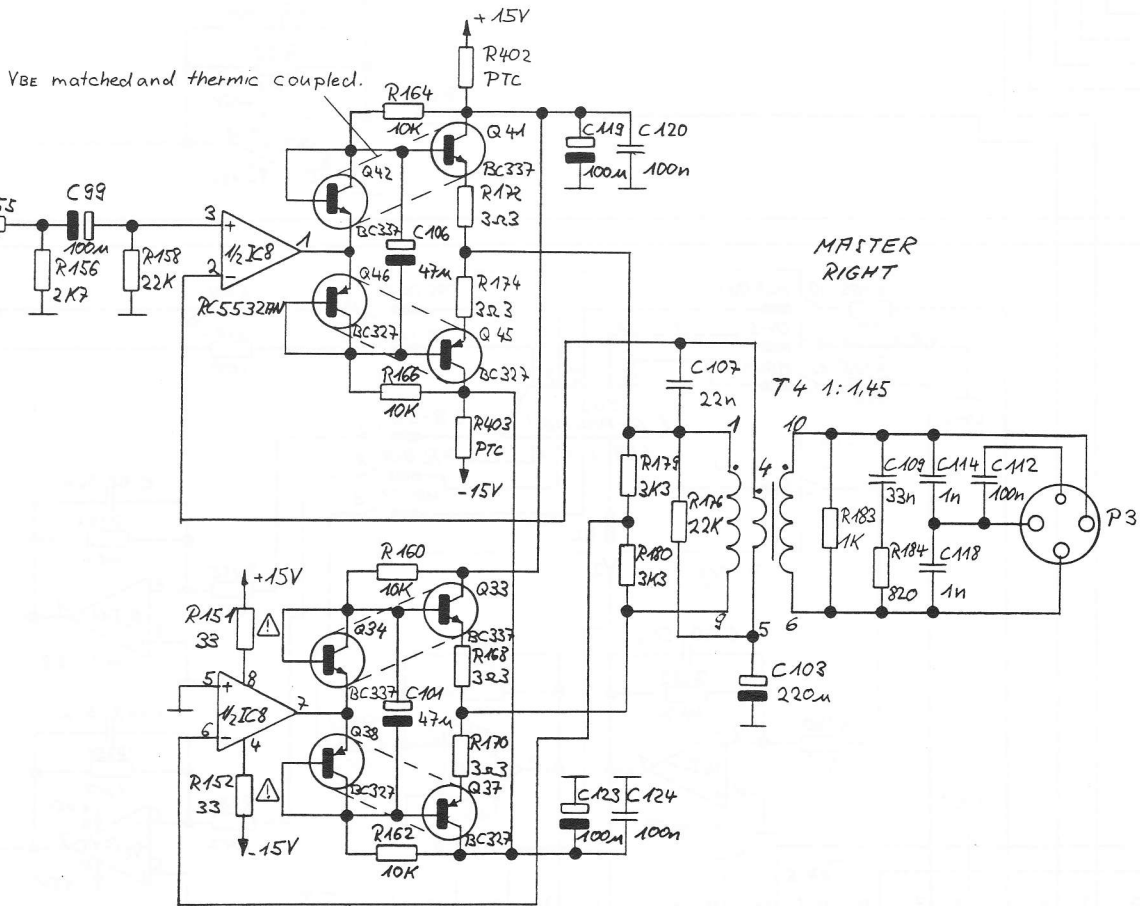
MONITOR C.R. UNIT
 1.775.470.00

INPUT-OUTPUT UNIT
 1.775.070.00





MASTER
LEFT



VBE matched and thermic coupled.

MASTER
RIGHT

1.775.070.00 IN / OUTPUT UNIT

Ad ..Pos... ..Ref.No... Description

C....1	59.06.0102	1 nF	10%, 25V,	PETP	C...98	59.22.3101	100 uF	-20%, 10V,	EL
C....2	59.06.0102	1 nF	10%, 25V,	PETP	C...99	59.22.3101	100 uF	-20%, 10V,	EL
C....3	59.06.0102	1 nF	10%, 25V,	PETP	C...100	59.22.3470	47 uF	-20%, 10V,	EL
C....4	59.06.0102	1 nF	10%, 25V,	PETP	C...101	59.22.3470	47 uF	-20%, 10V,	EL
C....5	59.06.0102	1 nF	10%, 25V,	PETP	C...102	59.22.3221	220 uF	-20%, 10V,	EL
C....6	59.06.0102	1 nF	10%, 25V,	PETP	C...103	59.22.3221	220 uF	-20%, 10V,	EL
C....7	59.06.0102	1 nF	10%, 25V,	PETP	C...104	59.22.3470	47 uF	-20%, 10V,	EL
C....8	59.06.0102	1 nF	10%, 25V,	PETP	C...105	59.06.0223	22 nF	10%, 25V,	PETP
C....9	59.06.0102	1 nF	10%, 25V,	PETP	C...106	59.22.3470	47 uF	-20%, 10V,	EL
C...10	59.06.0102	1 nF	10%, 25V,	PETP	C...107	59.06.0223	22 nF	10%, 25V,	PETP
C...11	59.06.0102	1 nF	10%, 25V,	PETP	C...108	59.06.0333	33 nF	10%, 25V,	PETP
C...12	59.06.0102	1 nF	10%, 25V,	PETP	C...109	59.06.0333	33 nF	10%, 25V,	PETP
C...13	59.06.0102	1 nF	10%, 25V,	PETP	C...112	59.06.0104	100 nF	10%, 25V,	PETP
C...14	59.06.0102	1 nF	10%, 25V,	PETP	C...113	59.05.1102	1 nF	1%, 25V,	PP
C...15	59.06.0102	1 nF	10%, 25V,	PETP	C...114	59.05.1102	1 nF	1%, 25V,	PP
C...16	59.06.0102	1 nF	10%, 25V,	PETP	C...115	59.05.1102	1 nF	1%, 25V,	PP
C...17	59.06.0102	1 nF	10%, 25V,	PETP	C...118	59.05.1102	1 nF	1%, 25V,	PP
C...18	59.06.0102	1 nF	10%, 25V,	PETP	C...119	59.22.5101	100 uF	-20%, 25V,	EL
C...19	59.06.0102	1 nF	10%, 25V,	PETP	C...120	59.06.0104	100 nF	10%, 25V,	PETP
C...20	59.06.0102	1 nF	10%, 25V,	PETP	C...121	59.06.0104	100 nF	10%, 25V,	PETP
C...21	59.06.0102	1 nF	10%, 25V,	PETP	C...122	59.22.5101	100 uF	-20%, 25V,	EL
C...22	59.06.0102	1 nF	10%, 25V,	PETP	C...123	59.22.5101	100 uF	-20%, 25V,	EL
C...23	59.06.0102	1 nF	10%, 25V,	PETP	C...124	59.06.0104	100 nF	10%, 25V,	PETP
C...24	59.06.0102	1 nF	10%, 25V,	PETP	C...125	59.06.0104	100 nF	10%, 25V,	PETP
C...25	59.22.3101	100 uF	-20%, 10V,	EL	C...126	59.22.5101	100 uF	-20%, 25V,	EL
C...26	59.22.3101	100 uF	-20%, 10V,	EL	C...127	59.22.3101	100 uF	-20%, 10V,	EL
C...27	59.22.3101	100 uF	-20%, 10V,	EL	C...128	59.22.3101	100 uF	-20%, 10V,	EL
C...28	59.22.3101	100 uF	-20%, 10V,	EL	C...129	59.22.3101	100 uF	-20%, 10V,	EL
C...29	59.22.3101	100 uF	-20%, 10V,	EL	C...130	59.22.3101	100 uF	-20%, 10V,	EL
C...30	59.22.3101	100 uF	-20%, 10V,	EL	C...131	59.22.3101	100 uF	-20%, 10V,	EL
C...31	59.22.3101	100 uF	-20%, 10V,	EL	C...132	59.22.3101	100 uF	-20%, 10V,	EL
C...32	59.22.3101	100 uF	-20%, 10V,	EL	C...133	59.34.4151	150 pF	5%, 25V,	C
C...33	59.22.3101	100 uF	-20%, 10V,	EL	C...134	59.34.4151	150 pF	5%, 25V,	C
C...34	59.22.3101	100 uF	-20%, 10V,	EL	C...135	59.34.4151	150 pF	5%, 25V,	C
C...35	59.22.3101	100 uF	-20%, 10V,	EL	C...136	59.34.4151	150 pF	5%, 25V,	C
C...36	59.22.3101	100 uF	-20%, 10V,	EL	C...137	59.34.4560	56 pF	5%, 25V,	C
C...37	59.34.4560	56 pF	5%, 25V,	C	C...138	59.34.4560	56 pF	5%, 25V,	C
C...38	59.34.4560	56 pF	5%, 25V,	C	C...139	59.22.5220	22 uF	-20%, 10V,	EL
C...39	59.34.4560	56 pF	5%, 25V,	C	C...140	59.22.5220	22 uF	-20%, 10V,	EL
C...40	59.34.4560	56 pF	5%, 25V,	C	C...141	59.22.5220	22 uF	-20%, 10V,	EL
C...41	59.05.1681	680 pF	1%, 25V,	PP	C...142	59.22.5220	22 uF	-20%, 10V,	EL
C...42	59.05.1681	680 pF	1%, 25V,	PP	C...143	59.34.4151	150 pF	5%, 25V,	C
C...43	59.05.1681	680 pF	1%, 25V,	PP	C...144	59.34.4271	270 pF	5%, 25V,	C
C...44	59.05.1681	680 pF	1%, 25V,	PP	C...145	59.34.4151	150 pF	5%, 25V,	C
C...45	59.05.1681	680 pF	1%, 25V,	PP	C...146	59.34.4271	270 pF	5%, 25V,	C
C...46	59.05.1681	680 pF	1%, 25V,	PP	C...147	59.22.3221	220 uF	-20%, 10V,	EL
C...47	59.05.1681	680 pF	1%, 25V,	PP	C...148	59.22.3221	220 uF	-20%, 10V,	EL
C...48	59.05.1681	680 pF	1%, 25V,	PP	C...149	59.22.3221	220 uF	-20%, 10V,	EL
C...49	59.22.3101	100 uF	-20%, 10V,	EL	C...150	59.22.3221	220 uF	-20%, 10V,	EL
C...50	59.22.3101	100 uF	-20%, 10V,	EL	C...151	59.32.2681	680 pF	10%, 25V,	C
C...51	59.22.3101	100 uF	-20%, 10V,	EL	C...152	59.32.2681	680 pF	10%, 25V,	C
C...52	59.22.3101	100 uF	-20%, 10V,	EL	C...153	59.32.2681	680 pF	10%, 25V,	C
C...53	59.06.0104	100 nF	10%, 25V,	PETP	C...154	59.32.2681	680 pF	10%, 25V,	C
C...54	59.06.0104	100 nF	10%, 25V,	PETP	C...155	59.06.0104	100 nF	10%, 25V,	PETP
C...55	59.32.2681	680 pF	10%, 25V,	C	C...160	59.34.4560	56 pF	5%, 25V,	C
C...56	59.32.2681	680 pF	10%, 25V,	C	C...161	59.34.4560	56 pF	5%, 25V,	C
C...57	59.32.2681	680 pF	10%, 25V,	C	C...162	59.34.4560	56 pF	5%, 25V,	C
C...58	59.32.2681	680 pF	10%, 25V,	C	C...163	59.34.4560	56 pF	5%, 25V,	C
C...59	59.34.4560	56 pF	5%, 25V,	C	D...300	50.04.0125	1N 4448		
C...60	59.34.4560	56 pF	5%, 25V,	C	D...301	50.04.0125	1N 4448		
C...61	59.22.3101	100 uF	-20%, 10V,	EL	D...310	50.04.0125	1N 4448		
C...62	59.22.3101	100 uF	-20%, 10V,	EL	D...311	50.04.0125	1N 4448		
C...63	59.34.4560	56 pF	5%, 25V,	C	D...320	50.04.0125	1N 4448		
C...64	59.34.4560	56 pF	5%, 25V,	C	D...321	50.04.0125	1N 4448		
C...69	59.22.3101	100 uF	-20%, 10V,	EL	D...330	50.04.0125	1N 4448		
C...70	59.22.5220	22 uF	-20%, 10V,	EL	D...331	50.04.0125	1N 4448		
C...71	59.22.5220	22 uF	-20%, 10V,	EL	D...340	50.04.0125	1N 4448		
C...72	59.34.4151	150 pF	5%, 25V,	C	D...341	50.04.0125	1N 4448		
C...73	59.34.4271	270 pF	5%, 25V,	C	D...350	50.04.0125	1N 4448		
C...74	59.22.3221	220 uF	-20%, 10V,	EL	D...351	50.04.0125	1N 4448		
C...75	59.22.3221	220 uF	-20%, 10V,	EL	D...360	50.04.0125	1N 4448		
C...76	59.32.2681	680 pF	10%, 25V,	C	D...361	50.04.0125	1N 4448		
C...77	59.32.2681	680 pF	10%, 25V,	C	D...370	50.04.0125	1N 4448		
C...78	59.06.0104	100 nF	10%, 25V,	PETP	D...371	50.04.0125	1N 4448		
C...79	59.22.3101	100 uF	-20%, 10V,	EL	IC...1	50.09.0107	RC4559		Ra
C...80	59.34.5391	390 pF	5%, 25V,	C	IC...2	50.09.0107	RC4559		Ra
C...81	59.34.5391	390 pF	5%, 25V,	C	IC...3	50.09.0107	RC4559		Ra
C...82	59.22.3101	100 uF	-20%, 10V,	EL	IC...4	50.09.0107	RC4559		Ra
C...83	59.06.5682	6.8 nF	5%, 25V,	PETP	IC...5	50.09.0107	RC4559		Ra
C...84	59.06.5682	6.8 nF	5%, 25V,	PETP	IC...6	50.09.0107	RC4559		Ra
C...85	59.05.1681	680 pF	1%, 25V,	PP	IC...7	50.09.0106	RC5532AN		Ra
C...86	59.05.1681	680 pF	1%, 25V,	PP	IC...8	50.09.0106	RC5532AN		Ra
C...87	59.05.1681	680 pF	1%, 25V,	PP	IC...9	50.09.0107	RC4559		Ra
C...88	59.05.1681	680 pF	1%, 25V,	PP	IC...10	50.09.0107	RC4559		Ra
C...89	59.06.0104	100 nF	10%, 25V,	PETP	IC...11	50.09.0107	RC4559		Ra
C...90	59.22.5101	100 uF	-20%, 25V,	EL	IC...12	50.09.0107	RC4559		Ra
C...91	59.06.0104	100 nF	10%, 25V,	PETP	IC...13	50.09.0107	RC4559		Ra
C...92	59.06.0104	100 nF	10%, 25V,	PETP	J....1	54.21.2201		XLR	
C...93	59.22.5101	100 uF	-20%, 25V,	EL	J....2	54.21.2201		XLR	
C...94	59.22.5101	100 uF	-20%, 25V,	EL	J....3	54.21.2201		XLR	
C...95	59.06.0104	100 nF	10%, 25V,	PETP	J....4	54.21.2201		XLR	
C...96	59.06.0104	100 nF	10%, 25V,	PETP	J....5	54.21.2007	4-Pole	Cinch	
C...97	59.22.5101	100 uF	-20%, 25V,	EL	J....6	54.01.0294	16-Pole	CIS	

1.775.070.00 IN / OUTPUT UNIT (CONT.)

Ad	..Pos...	...Ref.No...	Description					
J.....7	54.21.2201		XLR	Q...371	50.03.0515	BC 307	PNP	
J.....8	54.21.2201		XLR	R.....1	57.11.5106	10 MOhm	10%, 0.25W, MF	
J.....9	54.14.2003	26-Pole	Connector for Flat-Cabel	R.....2	57.11.3104	100 KOhm	1%, 0.25W, MF	
J.....10	54.14.2002	16-Pole	Connector for Flat-Cabel	R.....3	57.11.5106	10 MOhm	10%, 0.25W, MF	
J.....11	54.99.0250	25-Pole	Connector D-Typ	R.....4	57.11.5106	10 MOhm	10%, 0.25W, MF	
K...300	56.04.0195	6V	Relay	R.....5	57.11.5106	10 MOhm	10%, 0.25W, MF	
K...310	56.04.0195	6V	Relay	R.....6	57.11.3224	220 KOhm	1%, 0.25W, MF	
K...320	56.04.0195	6V	Relay	R.....7	57.11.3473	47 KOhm	1%, 0.25W, MF	
K...330	56.04.0195	6V	Relay	R.....8	57.11.5106	10 MOhm	10%, 0.25W, MF	
K...340	56.04.0195	6V	Relay	R.....9	57.11.3104	100 KOhm	1%, 0.25W, MF	
K...350	56.04.0195	6V	Relay	R....10	57.11.5106	10 MOhm	10%, 0.25W, MF	
K...360	56.04.0195	6V	Relay	R....11	57.11.5106	10 MOhm	10%, 0.25W, MF	
K...370	56.04.0195	6V	Relay	R....12	57.11.5106	10 MOhm	10%, 0.25W, MF	
MP...1	1.775.070.11		INPUT-OUTPUT PCB	R....13	57.11.3224	220 KOhm	1%, 0.25W, MF	
MP...2	54.01.0281	13-Pole	CIS	R....14	57.11.3473	47 KOhm	1%, 0.25W, MF	
MP...3	50.20.2001	8 pcs	Thermo Clip	R....15	57.11.5106	10 MOhm	10%, 0.25W, MF	
MP...5	28.21.2409	2 pcs	Tubular-Rivet 3.0*7.0	R....16	57.11.3104	100 KOhm	1%, 0.25W, MF	
MP...6	20.99.0103	11 pcs	Screw	R....17	57.11.5106	10 MOhm	10%, 0.25W, MF	
MP...7	1.010.017.22	6 pcs	Tubular-Rivet	R....18	57.11.5106	10 MOhm	10%, 0.25W, MF	
MP...8	43.01.0108		ESE Label	R....19	57.11.5106	10 MOhm	10%, 0.25W, MF	
MP...9	1.775.070.01		Nr. Label	R....20	57.11.3224	220 KOhm	1%, 0.25W, MF	
MP...10	35.03.0109	2 pcs	Mounting-Belt	R....21	57.11.3473	47 KOhm	1%, 0.25W, MF	
P.....1	54.21.2200		XLR	R....22	57.11.5106	10 MOhm	10%, 0.25W, MF	
P.....2	54.21.2200		XLR	R....23	57.11.3104	100 KOhm	1%, 0.25W, MF	
P.....3	54.21.2200		XLR	R....24	57.11.5106	10 MOhm	10%, 0.25W, MF	
P.....4	54.21.2200		XLR	R....25	57.11.5106	10 MOhm	10%, 0.25W, MF	
P.....5	54.21.2200		XLR	R....26	57.11.5106	10 MOhm	10%, 0.25W, MF	
Q.....1	50.03.0436	BC237	NPN	R....27	57.11.3224	220 KOhm	1%, 0.25W, MF	
Q.....2	50.03.0436	BC237	NPN	R....28	57.11.3473	47 KOhm	1%, 0.25W, MF	
Q.....3	50.03.0436	BC237	NPN	R....29	57.11.5106	10 MOhm	10%, 0.25W, MF	
Q.....4	50.03.0436	BC237	NPN	R....30	57.11.3104	100 KOhm	1%, 0.25W, MF	
Q.....5	50.03.0436	BC237	NPN	R....31	57.11.5106	10 MOhm	10%, 0.25W, MF	
Q.....6	50.03.0436	BC237	NPN	R....32	57.11.5106	10 MOhm	10%, 0.25W, MF	
Q.....7	50.03.0350	J 112	FET	Mot	R....33	57.11.5106	10 MOhm	10%, 0.25W, MF
Q.....8	50.03.0350	J 112	FET	Mot	R....34	57.11.3224	220 KOhm	1%, 0.25W, MF
Q.....9	50.03.0350	J 112	FET	Mot	R....35	57.11.3473	47 KOhm	1%, 0.25W, MF
Q.....10	50.03.0350	J 112	FET	Mot	R....36	57.11.5106	10 MOhm	10%, 0.25W, MF
Q.....11	50.03.0350	J 112	FET	Mot	R....37	57.11.3104	100 KOhm	1%, 0.25W, MF
Q.....12	50.03.0350	J 112	FET	Mot	R....38	57.11.5106	10 MOhm	10%, 0.25W, MF
Q.....13	50.03.0350	J 112	FET	Mot	R....39	57.11.5106	10 MOhm	10%, 0.25W, MF
Q.....14	50.03.0350	J 112	FET	Mot	R....40	57.11.5106	10 MOhm	10%, 0.25W, MF
Q.....15	50.03.0350	J 112	FET	Mot	R....41	57.11.3224	220 KOhm	1%, 0.25W, MF
Q.....16	50.03.0350	J 112	FET	Mot	R....42	57.11.3473	47 KOhm	1%, 0.25W, MF
Q.....17	50.03.0350	J 112	FET	Mot	R....43	57.11.3103	10 KOhm	1%, 0.25W, MF
Q.....18	50.03.0350	J 112	FET	Mot	R....44	57.11.3104	100 KOhm	1%, 0.25W, MF
Q.....19	50.03.0350	J 112	FET	Mot	R....45	57.11.3103	10 KOhm	1%, 0.25W, MF
Q.....20	50.03.0350	J 112	FET	Mot	R....46	57.11.3104	100 KOhm	1%, 0.25W, MF
Q.....21	50.03.0350	J 112	FET	Mot	R....47	57.11.3103	10 KOhm	1%, 0.25W, MF
Q.....22	50.03.0350	J 112	FET	Mot	R....48	57.11.3104	100 KOhm	1%, 0.25W, MF
Q.....23	50.03.0350	J 112	FET	Mot	R....49	57.11.3103	10 KOhm	1%, 0.25W, MF
Q.....24	50.03.0350	J 112	FET	Mot	R....50	57.11.3104	100 KOhm	1%, 0.25W, MF
Q.....25	50.03.0350	J 112	FET	Mot	R....51	57.11.3103	10 KOhm	1%, 0.25W, MF
Q.....26	50.03.0350	J 112	FET	Mot	R....52	57.11.3104	100 KOhm	1%, 0.25W, MF
Q.....27	50.03.0350	J 112	FET	Mot	R....53	57.11.3103	10 KOhm	1%, 0.25W, MF
Q.....28	50.03.0350	J 112	FET	Mot	R....54	57.11.3104	100 KOhm	1%, 0.25W, MF
Q.....29	50.03.0350	J 112	FET	Mot	R....55	57.11.3103	10 KOhm	1%, 0.25W, MF
Q.....30	50.03.0350	J 112	FET	Mot	R....56	57.11.3104	100 KOhm	1%, 0.25W, MF
Q.....31	50.03.0516	BC337	NPN match	R....57	57.11.3103	10 KOhm	1%, 0.25W, MF	
Q.....32	50.03.0516	BC337	NPN match	R....58	57.11.3104	100 KOhm	1%, 0.25W, MF	
Q.....33	50.03.0516	BC337	NPN match	R....59	57.11.3103	10 KOhm	1%, 0.25W, MF	
Q.....34	50.03.0516	BC337	NPN match	R....60	57.11.3104	100 KOhm	1%, 0.25W, MF	
Q.....35	50.03.0625	BC327	PNP match	R....61	57.11.3103	10 KOhm	1%, 0.25W, MF	
Q.....36	50.03.0625	BC327	PNP match	R....62	57.11.3104	100 KOhm	1%, 0.25W, MF	
Q.....37	50.03.0625	BC327	PNP match	R....63	57.11.3103	10 KOhm	1%, 0.25W, MF	
Q.....38	50.03.0625	BC327	PNP match	R....64	57.11.3104	100 KOhm	1%, 0.25W, MF	
Q.....39	50.03.0516	BC337	NPN match	R....65	57.11.3103	10 KOhm	1%, 0.25W, MF	
Q.....40	50.03.0516	BC337	NPN match	R....66	57.11.3104	100 KOhm	1%, 0.25W, MF	
Q.....41	50.03.0516	BC337	NPN match	R....67	57.11.3272	2.7 KOhm	1%, 0.25W, MF	
Q.....42	50.03.0516	BC337	NPN match	R....68	57.11.3392	3.9 KOhm	1%, 0.25W, MF	
Q.....43	50.03.0625	BC327	PNP match	R....69	57.11.3392	3.9 KOhm	1%, 0.25W, MF	
Q.....44	50.03.0625	BC327	PNP match	R....70	57.11.3272	2.7 KOhm	1%, 0.25W, MF	
Q.....45	50.03.0625	BC327	PNP match	R....71	57.11.3272	2.7 KOhm	1%, 0.25W, MF	
Q.....46	50.03.0625	BC327	PNP match	R....72	57.11.3392	3.9 KOhm	1%, 0.25W, MF	
Q.....47	50.03.0350	J 112	FET	Mot	R....73	57.11.3392	3.9 KOhm	1%, 0.25W, MF
Q.....48	50.03.0350	J 112	FET	Mot	R....74	57.11.3272	2.7 KOhm	1%, 0.25W, MF
Q.....49	50.03.0350	J 112	FET	Mot	R....75	57.11.3272	2.7 KOhm	1%, 0.25W, MF
Q.....50	50.03.0350	J 112	FET	Mot	R....76	57.11.3392	3.9 KOhm	1%, 0.25W, MF
Q.....51	50.03.0436	BC 237	NPN	R....77	57.11.3392	3.9 KOhm	1%, 0.25W, MF	
Q...300	50.03.0436	BC 237	NPN	R....78	57.11.3272	2.7 KOhm	1%, 0.25W, MF	
Q...301	50.03.0515	BC 307	PNP	R....79	57.11.3272	2.7 KOhm	1%, 0.25W, MF	
Q...310	50.03.0436	BC 237	NPN	R....80	57.11.3392	3.9 KOhm	1%, 0.25W, MF	
Q...311	50.03.0515	BC 307	PNP	R....81	57.11.3392	3.9 KOhm	1%, 0.25W, MF	
Q...320	50.03.0436	BC 237	NPN	R....82	57.11.3272	2.7 KOhm	1%, 0.25W, MF	
Q...321	50.03.0515	BC 307	PNP	R....83	57.11.3152	1.5 KOhm	1%, 0.25W, MF	
Q...330	50.03.0436	BC 237	NPN	R....84	57.11.3152	1.5 KOhm	1%, 0.25W, MF	
Q...331	50.03.0515	BC 307	PNP	R....85	57.11.3152	1.5 KOhm	1%, 0.25W, MF	
Q...340	50.03.0436	BC 237	NPN	R....86	57.11.3152	1.5 KOhm	1%, 0.25W, MF	
Q...341	50.03.0515	BC 307	PNP	R....87	57.11.3152	1.5 KOhm	1%, 0.25W, MF	
Q...350	50.03.0436	BC 237	NPN	R....88	57.11.3152	1.5 KOhm	1%, 0.25W, MF	
Q...351	50.03.0515	BC 307	PNP	R....89	57.11.3152	1.5 KOhm	1%, 0.25W, MF	
Q...360	50.03.0436	BC 237	NPN	R....90	57.11.3152	1.5 KOhm	1%, 0.25W, MF	
Q...361	50.03.0515	BC 307	PNP	R....91	57.11.3333	33 KOhm	1%, 0.25W, MF	
Q...370	50.03.0436	BC 237	NPN	R....92	57.11.3333	33 KOhm	1%, 0.25W, MF	

1.775.070.00 IN / OUTPUT UNIT (CONT.)

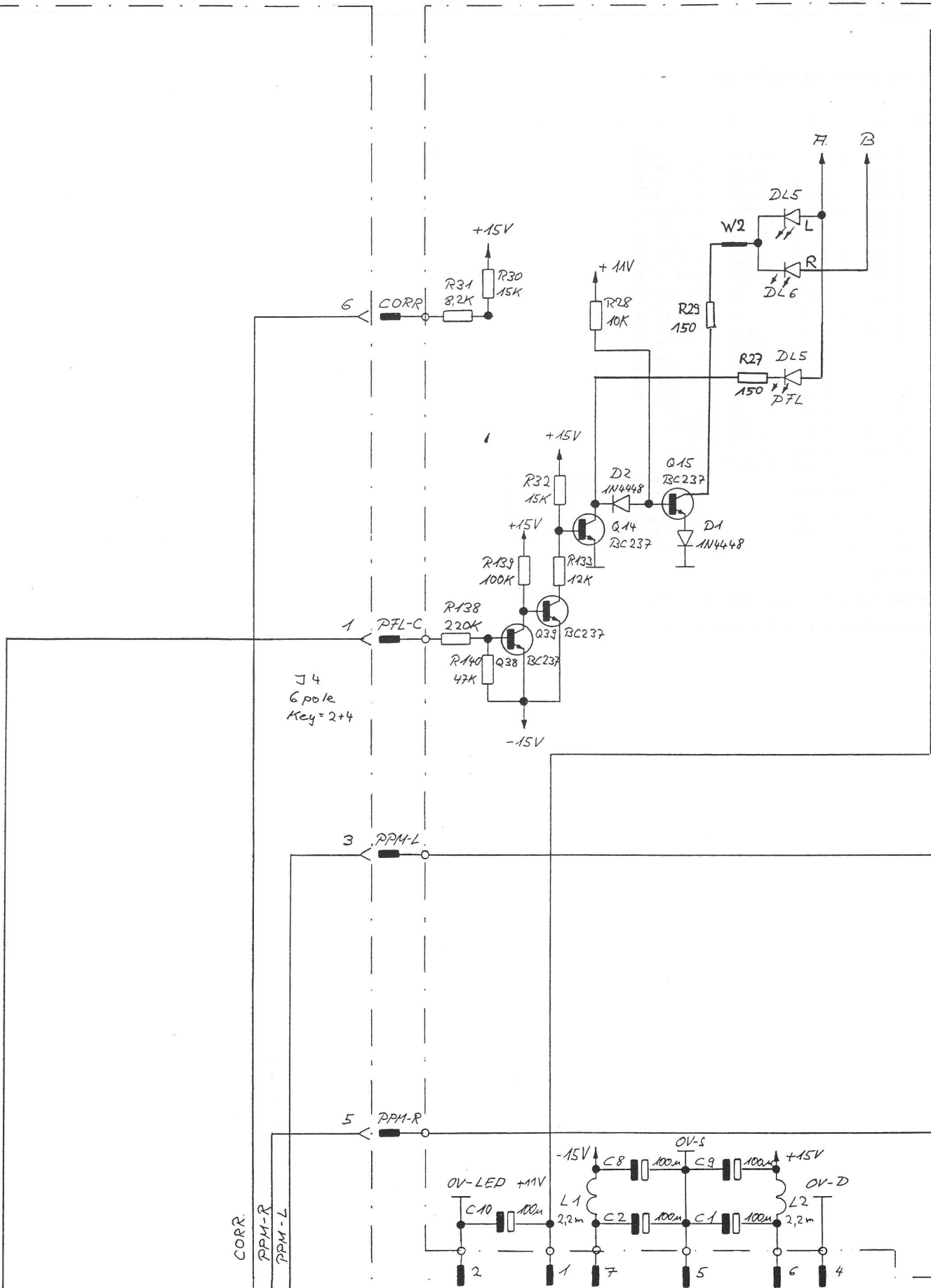
Ad	..Pos..	...Ref.No...	Description		
R...	341	57.11.3154	150 KOhm	1%, 0.25W, MF	
R...	342	57.11.3181	180 Ohm	1%, 0.25W, MF	
R...	343	57.11.3103	10 KOhm	1%, 0.25W, MF	
R...	344	57.11.3103	10 KOhm	1%, 0.25W, MF	
R...	350	57.11.3153	15 KOhm	1%, 0.25W, MF	
R...	351	57.11.3154	150 KOhm	1%, 0.25W, MF	
R...	352	57.11.3181	180 Ohm	1%, 0.25W, MF	
R...	353	57.11.3103	10 KOhm	1%, 0.25W, MF	
R...	354	57.11.3103	10 KOhm	1%, 0.25W, MF	
R...	360	57.11.3153	15 KOhm	1%, 0.25W, MF	
R...	361	57.11.3154	150 KOhm	1%, 0.25W, MF	
R...	362	57.11.3181	180 Ohm	1%, 0.25W, MF	
R...	363	57.11.3103	10 KOhm	1%, 0.25W, MF	
R...	364	57.11.3103	10 KOhm	1%, 0.25W, MF	
R...	370	57.11.3153	15 KOhm	1%, 0.25W, MF	
R...	371	57.11.3154	150 KOhm	1%, 0.25W, MF	
R...	372	57.11.3181	180 Ohm	1%, 0.25W, MF	
R...	373	57.11.3103	10 KOhm	1%, 0.25W, MF	
R...	374	57.11.3103	10 KOhm	1%, 0.25W, MF	
R...	400	57.92.1121	22 Ohm	PTC 56V	
R...	401	57.92.1121	22 Ohm	PTC 56V	
R...	402	57.92.1121	22 Ohm	PTC 56V	
R...	403	57.92.1121	22 Ohm	PTC 56V	
S...	300	55.12.1108	8x on/off	Switch	
T.....	1	1.022.451.00		Input-Transformer 1:0,62	ST
T.....	2	1.022.451.00		Input-Transformer 1:0,62	ST
T.....	3	1.022.362.00		Output-Transformer 1:1,45	ST
T.....	4	1.022.362.00		Output-Transformer 1:1,45	ST
TP....	1	54.02.0320		Flatpin 2.8*0.8, male	
W.....	1	1.775.070.93		Wire List	

KG 92/01/2200

MF=Metal-film, El=Electrolytic, Cer=Ceramic, PETP=Polyester, PP=Polypropylen

MANUFACTURER: Mot=Motorola, Ra=Raytheon, ST=Studer

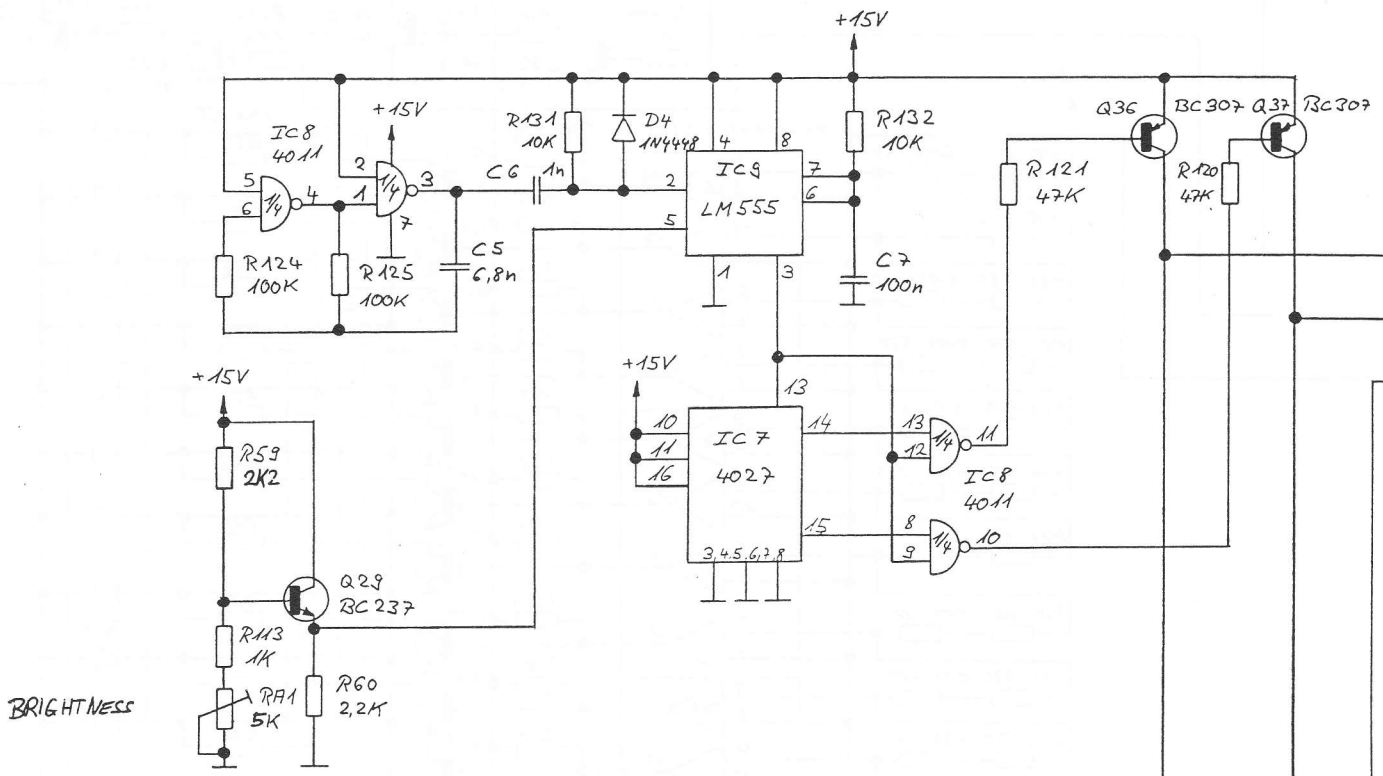
END



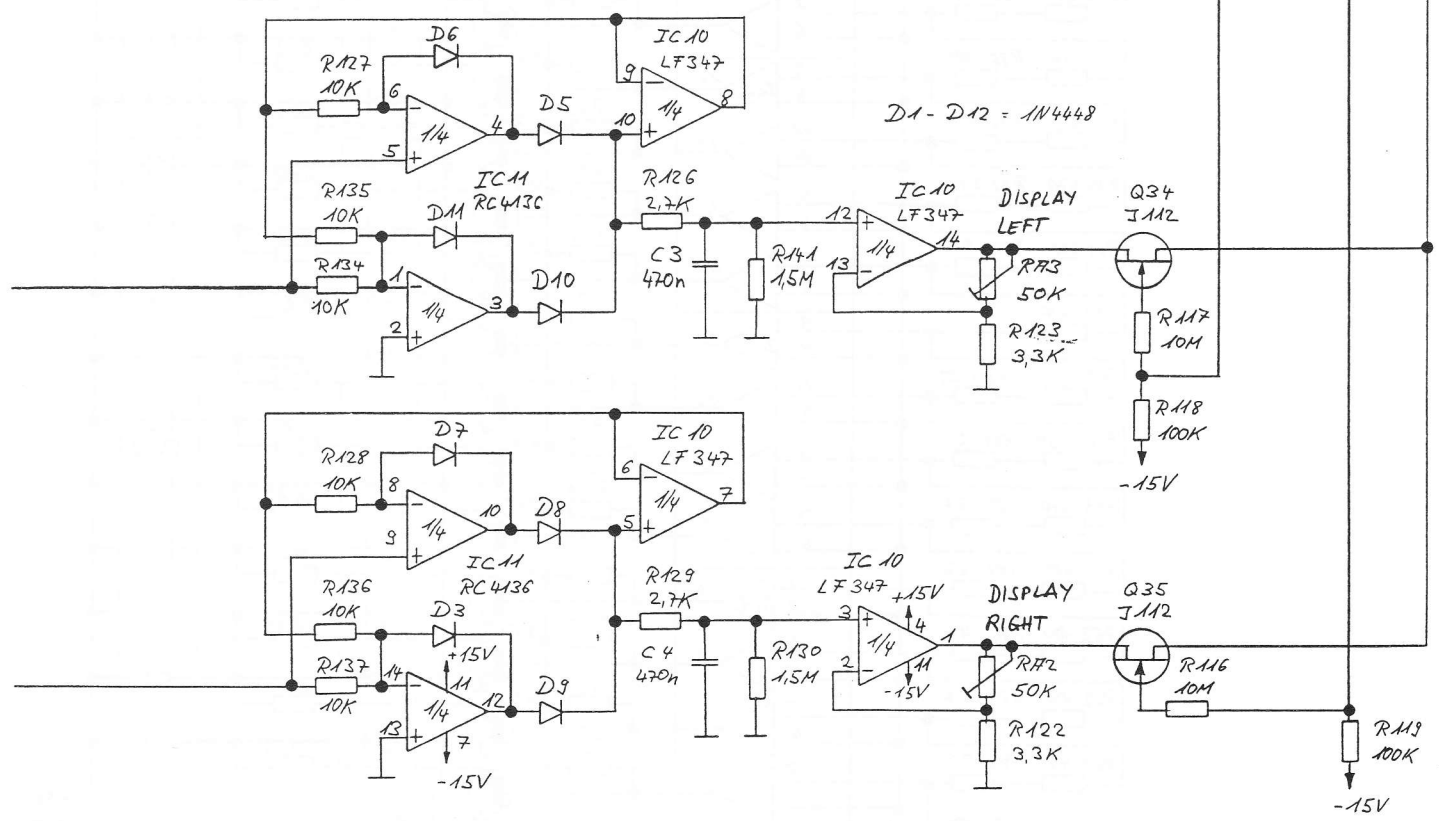
CONNECTION UNIT
1.775.060.00

DISPLAY UNIT
1.775.311.00

① 16.12.91 G.Kaeschner	○ . . .	○ . . .	○ . . .	○ . . .
MIXING CONSOLE MR-8				PAGE 1 OF 3
STUDER	DISPLAY UNIT			SC 1.775.311.00

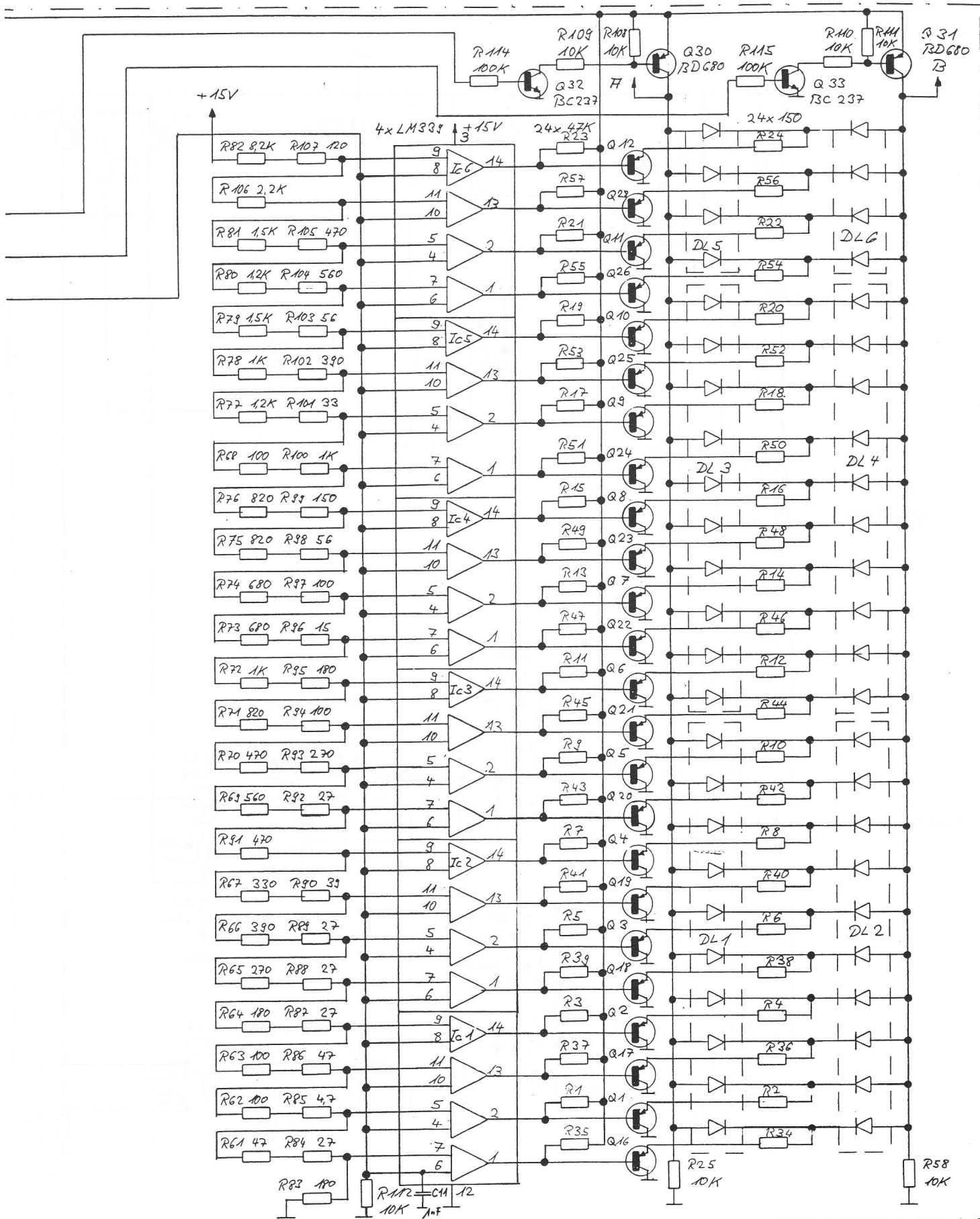


BRIGHTNESS



DISPLAY UNIT
1.775.311.00

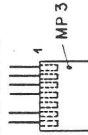
① 16.12.91 G. Kaesthammer
MIXING CONSOLE MR-8			PAGE 2 OF 3	
STUDER	DISPLAY UNIT		SC	1.775.311.00



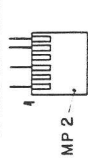
DISPLAY UNIT
1.775.311.00

① 162291 G. Kaerhammer	○ . .	○ . .	○ . .	○ . .
MIXING CONSOLE MR-8	PAGE 3 OF 3			
STUDER	DISPLAY UNIT		SC	1.775.311.00

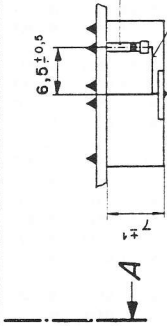
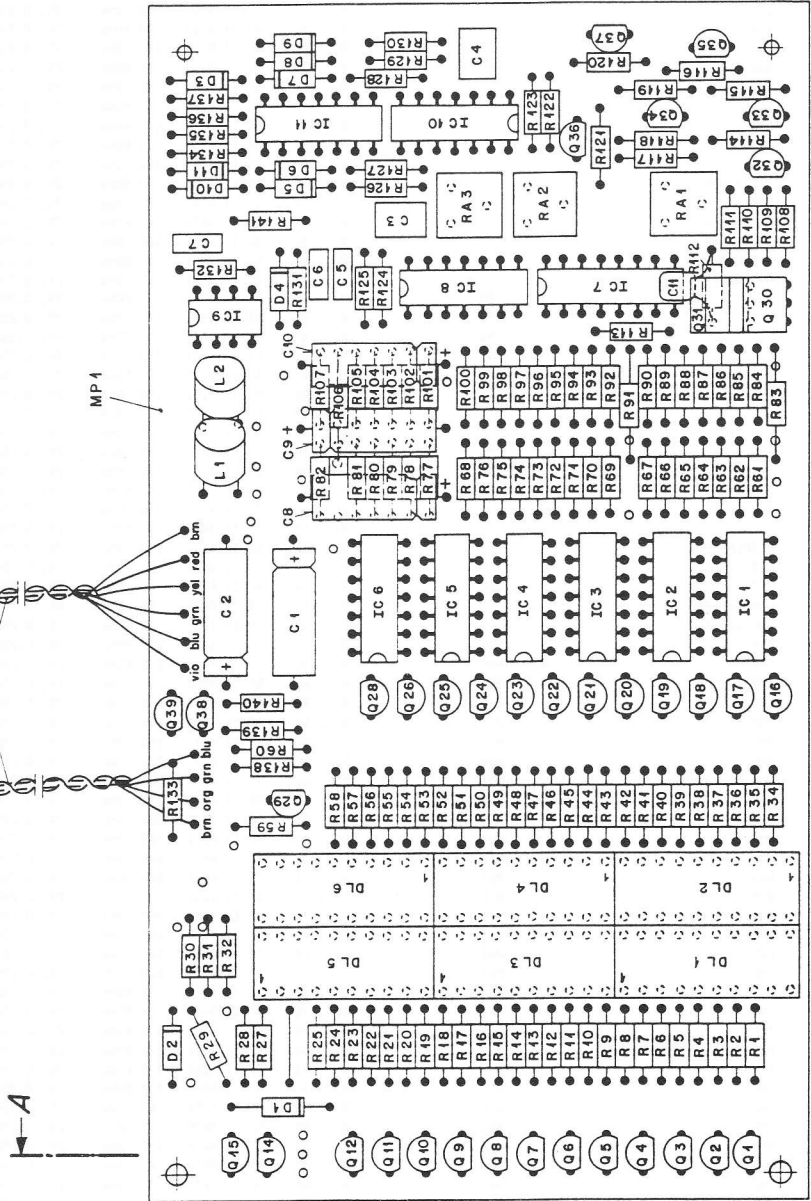
4.775.300-00
POWER SUPPLY



4.775.320-00
CONNECTION UNIT



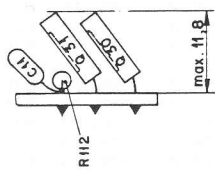
MP1



1.010.028-54

gestreckte Länge ca. 12 mm

Die 6 Bar-Graphs müssen vom gleichen Hersteller sein.



Warnschild - ESE und Nr. Etikette nach Fabr. Muster aufgeklabl.

Norm-Nr.	GuV	1
DR-Bez.	Beh.	2
Abmessung	Oberfläche	3
Zuglänge Unterlagen	Fremdablenzung	4
PL, L, LL	Maßstab	5
Erstellt für	Erstellt durch	6
	Kopie für	7
	Datum	8
	Gepr.	9
	Gepr.	10
	Index	11
	Ausgabe	12
	12.12.91	13

STUWER
REGENSDORF
ZÜRICH

DISPLAY UNIT ESE

1.775.311-00

1.775.311.00 DISPLAY UNIT 'ESE'

Ad	..Pos..	...Ref.No...	Description					
C.....1	59.25.4101	100 uF	-20%, 25V, EL		R....11	57.11.4473	47 KOhm	2%, 0.25W, MF
C.....2	59.25.4101	100 uF	-20%, 25V, EL		R....12	57.11.4151	150 Ohm	2%, 0.25W, MF
C.....3	59.06.0474	0.47uF	10%, 25V, PETP		R....13	57.11.4473	47 KOhm	2%, 0.25W, MF
C.....4	59.06.0474	0.47uF	10%, 25V, PETP		R....14	57.11.4151	150 Ohm	2%, 0.25W, MF
C.....5	59.06.0682	6.8 nF	10%, 25V, PETP		R....15	57.11.4473	47 KOhm	2%, 0.25W, MF
C.....6	59.06.0102	1 nF	10%, 25V, PETP		R....16	57.11.4151	150 Ohm	2%, 0.25W, MF
C.....7	59.06.0104	100 nF	10%, 25V, PETP		R....17	57.11.4473	47 KOhm	2%, 0.25W, MF
C.....8	59.25.4101	100 uF	-20%, 25V, EL		R....18	57.11.4151	150 Ohm	2%, 0.25W, MF
C.....9	59.25.4101	100 uF	-20%, 25V, EL		R....19	57.11.4473	47 KOhm	2%, 0.25W, MF
C.....10	59.25.4101	100 uF	-20%, 25V, EL		R....20	57.11.4151	150 Ohm	2%, 0.25W, MF
C.....11	59.32.4102	1 nF	20%, 25V, CER		R....21	57.11.4473	47 KOhm	2%, 0.25W, MF
D.....1	50.04.0125	1N 4448	any		R....22	57.11.4151	150 Ohm	2%, 0.25W, MF
D.....2	50.04.0125	1N 4448	any		R....23	57.11.4473	47 KOhm	2%, 0.25W, MF
D.....3	50.04.0125	1N 4448	any		R....24	57.11.4151	150 Ohm	2%, 0.25W, MF
D.....4	50.04.0125	1N 4448	any		R....25	57.11.4103	10 KOhm	2%, 0.25W, MF
D.....5	50.04.0125	1N 4448	any		R....27	57.11.4151	150 Ohm	2%, 0.25W, MF
D.....6	50.04.0125	1N 4448	any		R....28	57.11.4103	10 KOhm	2%, 0.25W, MF
D.....7	50.04.0125	1N 4448	any		R....29	57.11.4151	150 Ohm	2%, 0.25W, MF
D.....8	50.04.0125	1N 4448	any		R....30	57.11.4153	15 KOhm	2%, 0.25W, MF
D.....9	50.04.0125	1N 4448	any		R....31	57.11.4822	8.2 KOhm	2%, 0.25W, MF
D.....10	50.04.0125	1N 4448	any		R....32	57.11.4153	15 KOhm	2%, 0.25W, MF
D.....11	50.04.0125	1N 4448	any		R....34	57.11.4151	150 Ohm	2%, 0.25W, MF
DL.....1	50.04.2161	gn/dif	BAR-GRAPH		R....35	57.11.4473	47 KOhm	2%, 0.25W, MF
DL.....2	50.04.2161	gn/dif	BAR-GRAPH		R....36	57.11.4151	150 Ohm	2%, 0.25W, MF
DL.....3	50.04.2161	gn/dif	BAR-GRAPH		R....37	57.11.4473	47 KOhm	2%, 0.25W, MF
DL.....4	50.04.2161	gn/dif	BAR-GRAPH		R....38	57.11.4151	150 Ohm	2%, 0.25W, MF
DL.....5	50.04.2150	rt/dif	BAR-GRAPH		R....39	57.11.4473	47 KOhm	2%, 0.25W, MF
DL.....6	50.04.2150	rt/dif	BAR-GRAPH		R....40	57.11.4151	150 Ohm	2%, 0.25W, MF
IC.....1	50.11.0104	LM339		NS	R....41	57.11.4473	47 KOhm	2%, 0.25W, MF
IC.....2	50.11.0104	LM339		NS	R....42	57.11.4151	150 Ohm	2%, 0.25W, MF
IC.....3	50.11.0104	LM339		NS	R....43	57.11.4473	47 KOhm	2%, 0.25W, MF
IC.....4	50.11.0104	LM339		NS	R....44	57.11.4151	150 Ohm	2%, 0.25W, MF
IC.....5	50.11.0104	LM339		NS	R....45	57.11.4473	47 KOhm	2%, 0.25W, MF
IC.....6	50.11.0104	LM339		NS	R....46	57.11.4151	150 Ohm	2%, 0.25W, MF
IC.....7	50.07.0027	4027			R....47	57.11.4473	47 KOhm	2%, 0.25W, MF
IC.....8	50.07.1011	4011			R....48	57.11.4151	150 Ohm	2%, 0.25W, MF
IC.....9	50.05.0158	LM555		NS	R....49	57.11.4473	47 KOhm	2%, 0.25W, MF
IC.....10	50.09.0104	LF347N		NS	R....50	57.11.4151	150 Ohm	2%, 0.25W, MF
IC.....11	50.05.0232	RC4136		TI	R....51	57.11.4473	47 KOhm	2%, 0.25W, MF
L.....1	62.02.3222	2.2mH			R....52	57.11.4151	150 Ohm	2%, 0.25W, MF
L.....2	62.02.3222	2.2mH			R....53	57.11.4473	47 KOhm	2%, 0.25W, MF
MP.....1	1.775.310.11		DISPLAY PCB		R....54	57.11.4151	150 Ohm	2%, 0.25W, MF
MP.....2	54.01.0230	6-Pole	CIS		R....55	57.11.4473	47 KOhm	2%, 0.25W, MF
MP.....3	54.01.0233	7-Pole	CIS	Mot	R....56	57.11.4151	150 Ohm	2%, 0.25W, MF
MP.....4	1.010.028.54		Connect Pin		R....57	57.11.4473	47 KOhm	2%, 0.25W, MF
MP.....5	1.010.028.54		Connect Pin		R....58	57.11.4103	10 KOhm	2%, 0.25W, MF
Q.....1	50.03.0515	BC 307	PNP	Mot	R....59	57.11.4222	2.2 KOhm	2%, 0.25W, MF
Q.....2	50.03.0515	BC 307	PNP	Mot	R....60	57.11.4222	2.2 KOhm	2%, 0.25W, MF
Q.....3	50.03.0515	BC 307	PNP	Mot	R....61	57.11.4470	47 Ohm	2%, 0.25W, MF
Q.....4	50.03.0515	BC 307	PNP	Mot	R....62	57.11.4101	100 Ohm	2%, 0.25W, MF
Q.....5	50.03.0515	BC 307	PNP	Mot	R....63	57.11.4101	100 Ohm	2%, 0.25W, MF
Q.....6	50.03.0515	BC 307	PNP	Mot	R....64	57.11.4181	180 Ohm	2%, 0.25W, MF
Q.....7	50.03.0515	BC 307	PNP	Mot	R....65	57.11.4271	270 Ohm	2%, 0.25W, MF
Q.....8	50.03.0515	BC 307	PNP	Mot	R....66	57.11.4391	390 Ohm	2%, 0.25W, MF
Q.....9	50.03.0515	BC 307	PNP	Mot	R....67	57.11.4331	330 Ohm	2%, 0.25W, MF
Q.....10	50.03.0515	BC 307	PNP	Mot	R....68	57.11.4101	100 Ohm	2%, 0.25W, MF
Q.....11	50.03.0515	BC 307	PNP	Mot	R....69	57.11.4561	560 Ohm	2%, 0.25W, MF
Q.....12	50.03.0515	BC 307	PNP	Mot	R....70	57.11.4471	470 Ohm	2%, 0.25W, MF
Q.....14	50.03.0436	BC 237	NPN	Mot	R....71	57.11.4821	820 Ohm	2%, 0.25W, MF
Q.....15	50.03.0436	BC 237	NPN	Mot	R....72	57.11.4102	1 KOhm	2%, 0.25W, MF
Q.....16	50.03.0515	BC 307	PNP	Mot	R....73	57.11.4681	680 Ohm	2%, 0.25W, MF
Q.....17	50.03.0515	BC 307	PNP	Mot	R....74	57.11.4681	680 Ohm	2%, 0.25W, MF
Q.....18	50.03.0515	BC 307	PNP	Mot	R....75	57.11.4821	820 Ohm	2%, 0.25W, MF
Q.....19	50.03.0515	BC 307	PNP	Mot	R....76	57.11.4821	820 Ohm	2%, 0.25W, MF
Q.....20	50.03.0515	BC 307	PNP	Mot	R....77	57.11.4122	1.2 KOhm	2%, 0.25W, MF
Q.....21	50.03.0515	BC 307	PNP	Mot	R....78	57.11.4102	1 KOhm	2%, 0.25W, MF
Q.....22	50.03.0515	BC 307	PNP	Mot	R....79	57.11.4152	1.5 KOhm	2%, 0.25W, MF
Q.....23	50.03.0515	BC 307	PNP	Mot	R....80	57.11.4122	1.2 KOhm	2%, 0.25W, MF
Q.....24	50.03.0515	BC 307	PNP	Mot	R....81	57.11.4152	1.5 KOhm	2%, 0.25W, MF
Q.....25	50.03.0515	BC 307	PNP	Mot	R....82	57.11.4822	8.2 KOhm	2%, 0.25W, MF
Q.....26	50.03.0515	BC 307	PNP	Mot	R....83	57.11.4181	180 Ohm	2%, 0.25W, MF
Q.....28	50.03.0515	BC 307	PNP	Mot	R....84	57.11.4270	27 Ohm	2%, 0.25W, MF
Q.....29	50.03.0436	BC 237	NPN	Mot	R....85	57.11.4479	4.7 Ohm	2%, 0.25W, MF
Q.....30	50.03.0505	BD 680	PNP	Mot	R....86	57.11.4470	47 Ohm	2%, 0.25W, MF
Q.....31	50.03.0505	BD 680	PNP	Mot	R....87	57.11.4270	27 Ohm	2%, 0.25W, MF
Q.....32	50.03.0436	BC 237	NPN	Mot	R....88	57.11.4270	27 Ohm	2%, 0.25W, MF
Q.....33	50.03.0436	BC 237	NPN	Mot	R....89	57.11.4270	27 Ohm	2%, 0.25W, MF
Q.....34	50.03.0350	J 112	FET	Mot	R....90	57.11.4390	39 Ohm	2%, 0.25W, MF
Q.....35	50.03.0350	J 112	FET	Mot	R....91	57.11.4471	470 Ohm	2%, 0.25W, MF
Q.....36	50.03.0515	BC 307	PNP	Mot	R....92	57.11.4270	27 Ohm	2%, 0.25W, MF
Q.....37	50.03.0515	BC 307	PNP	Mot	R....93	57.11.4271	270 Ohm	2%, 0.25W, MF
Q.....38	50.03.0436	BC 237	NPN	Mot	R....94	57.11.4101	100 Ohm	2%, 0.25W, MF
Q.....39	50.03.0436	BC 237	NPN	Mot	R....95	57.11.4181	180 Ohm	2%, 0.25W, MF
R.....1	57.11.4473	47 KOhm	2%, 0.25W, MF		R....96	57.11.4150	15 Ohm	2%, 0.25W, MF
R.....2	57.11.4151	150 Ohm	2%, 0.25W, MF		R....97	57.11.4101	100 Ohm	2%, 0.25W, MF
R.....3	57.11.4473	47 KOhm	2%, 0.25W, MF		R....98	57.11.4560	56 Ohm	2%, 0.25W, MF
R.....4	57.11.4151	150 Ohm	2%, 0.25W, MF		R....99	57.11.4151	150 Ohm	2%, 0.25W, MF
R.....5	57.11.4473	47 KOhm	2%, 0.25W, MF		R...100	57.11.4102	1 KOhm	2%, 0.25W, MF
R.....6	57.11.4151	150 Ohm	2%, 0.25W, MF		R...101	57.11.4330	33 Ohm	2%, 0.25W, MF
R.....7	57.11.4473	47 KOhm	2%, 0.25W, MF		R...102	57.11.4391	390 Ohm	2%, 0.25W, MF
R.....8	57.11.4151	150 Ohm	2%, 0.25W, MF		R...103	57.11.4560	56 Ohm	2%, 0.25W, MF
R.....9	57.11.4473	47 KOhm	2%, 0.25W, MF		R...104	57.11.4561	560 Ohm	2%, 0.25W, MF
R.....10	57.11.4151	150 Ohm	2%, 0.25W, MF		R...105	57.11.4471	470 Ohm	2%, 0.25W, MF

1.775.311.00 DISPLAY UNIT 'ESE' (CONT.)

Ad	..Pos..	...Ref.No...	Description
R...	106	57.11.4222	2.2 KOhm 2%, 0.25W, MF
R...	107	57.11.4121	120 Ohm 2%, 0.25W, MF
R...	108	57.11.4103	10 KOhm 2%, 0.25W, MF
R...	109	57.11.4103	10 KOhm 2%, 0.25W, MF
R...	110	57.11.4103	10 KOhm 2%, 0.25W, MF
R...	111	57.11.4103	10 KOhm 2%, 0.25W, MF
R...	112	57.11.4103	10 KOhm 2%, 0.25W, MF
R...	113	57.11.4102	1 KOhm 2%, 0.25W, MF
R...	114	57.11.4104	100 KOhm 2%, 0.25W, MF
R...	115	57.11.4104	100 KOhm 2%, 0.25W, MF
R...	116	57.11.5106	10 MOhm 2%, 0.25W, MF
R...	117	57.11.5106	10 MOhm 2%, 0.25W, MF
R...	118	57.11.4104	100 KOhm 2%, 0.25W, MF
R...	119	57.11.4104	100 KOhm 2%, 0.25W, MF
R...	120	57.11.4473	47 KOhm 2%, 0.25W, MF
R...	121	57.11.4473	47 KOhm 2%, 0.25W, MF
R...	122	57.11.4332	3.3 KOhm 2%, 0.25W, MF
R...	123	57.11.4332	3.3 KOhm 2%, 0.25W, MF
R...	124	57.11.4104	100 KOhm 2%, 0.25W, MF
R...	125	57.11.4104	100 KOhm 2%, 0.25W, MF
R...	126	57.11.4272	2.7 KOhm 2%, 0.25W, MF
R...	127	57.11.4103	10 KOhm 2%, 0.25W, MF
R...	128	57.11.4103	10 KOhm 2%, 0.25W, MF
R...	129	57.11.4272	2.7 KOhm 2%, 0.25W, MF
R...	130	57.11.5155	1.5 MOhm 5%, 0.25W, MF
R...	131	57.11.4103	10 KOhm 2%, 0.25W, MF
R...	132	57.11.4103	10 KOhm 2%, 0.25W, MF
R...	133	57.11.4123	12 KOhm 2%, 0.25W, MF
R...	134	57.11.4103	10 KOhm 2%, 0.25W, MF
R...	135	57.11.4103	10 KOhm 2%, 0.25W, MF
R...	136	57.11.4103	10 KOhm 2%, 0.25W, MF
R...	137	57.11.4103	10 KOhm 2%, 0.25W, MF
R...	138	57.11.4224	220 KOhm 2%, 0.25W, MF
R...	139	57.11.4104	100 KOhm 2%, 0.25W, MF
R...	140	57.11.4473	47 KOhm 2%, 0.25W, MF
R...	141	57.11.5155	1.5 MOhm 5%, 0.25W, MF
RA...	1	58.01.8502	5 KOhm -10%, 0.50W, C
RA...	2	58.01.8503	50 KOhm -10%, 0.50W, C
RA...	3	58.01.8503	50 KOhm -10%, 0.50W, C
W.....	1	1.775.310.93	Wire List
W.....	2	64.01.0106	10.60MM 0.60MM,WIRE BRIDGE

KG 92/01/2200

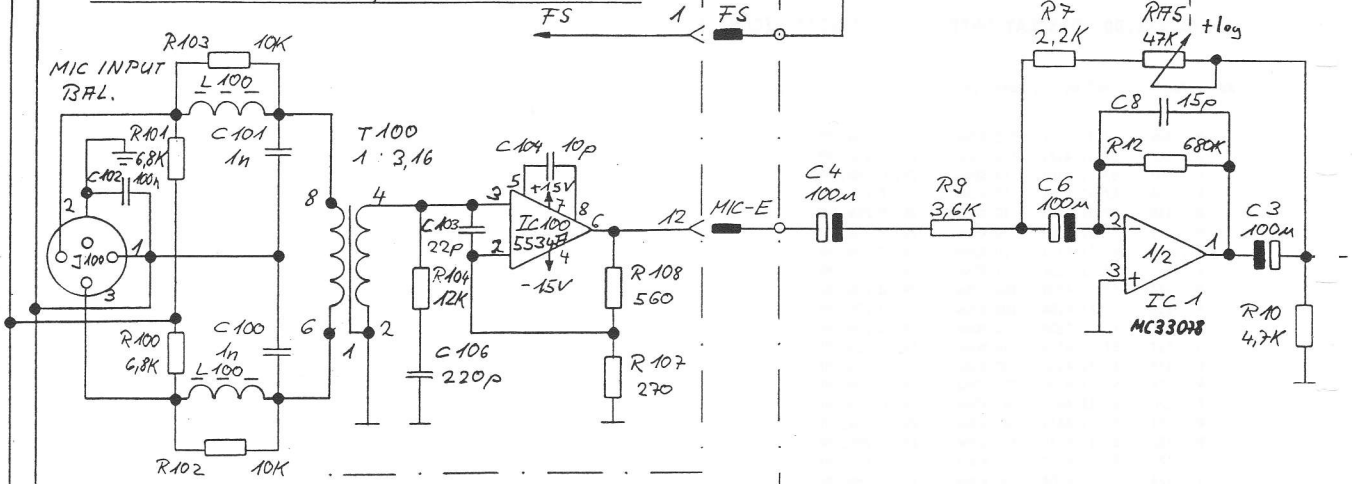
EL=Electrolytic, C=Ceramic, PETP=Polyester
MF=Metal Film

MANUFACTURER: Mot=Motorola, NS=National Semiconductor, TI=Texas Instruments

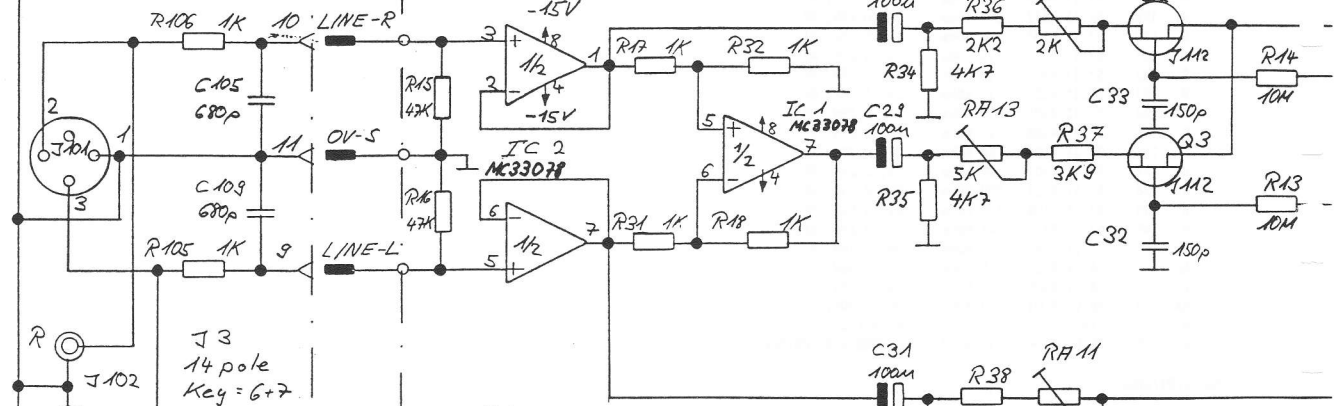
END

PFL-C
+15V
-15V
+48V
0V

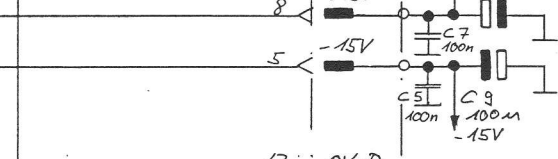
Pos. Nr. 100... - 600/800 for Channel 1 to 6/8



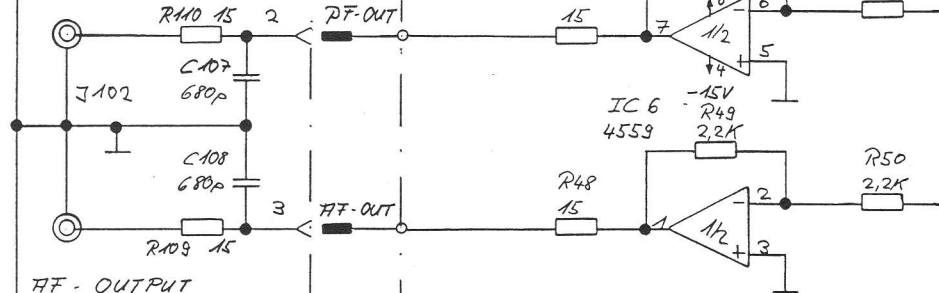
LINE INPUT BFL.



STEREO INPUT UNBAL.



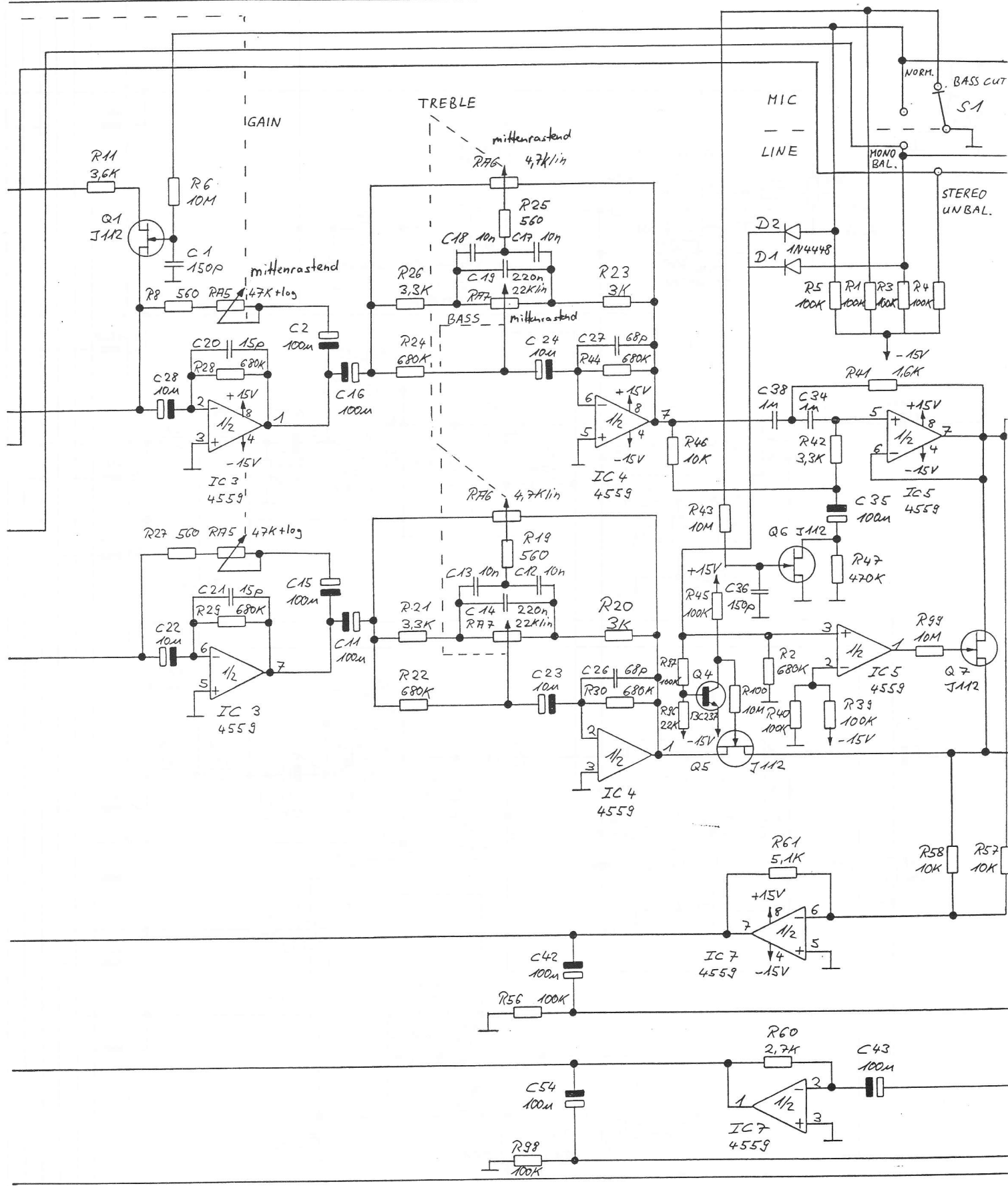
PF-OUTPUT



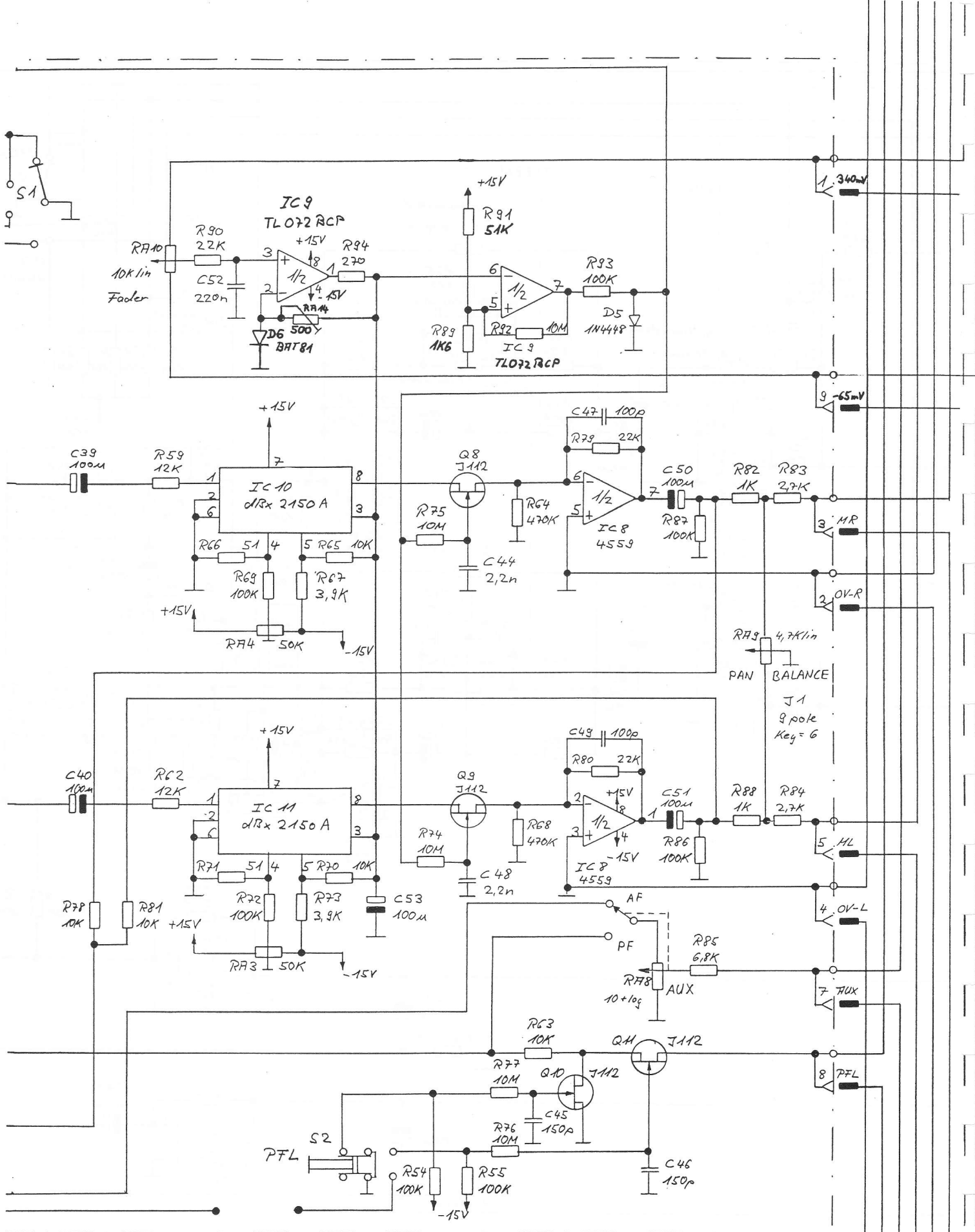
HF-OUTPUT

CONNECTION UNIT 1.775.410.00/06000 INPUT UNIT 1.775.420.81

29.11.88 U Leejer	07.02.92 G. Haeschhammer			
MIXING CONSOLE A779 1 MR-8			PAGE 1 OF 3	
STUDER		INPUT UNIT		SC 1.775.420.81



① 29.1188 U. Leeger	○ 07.02.92 G. Haeschammer	○ . . .	○ . . .	○ . . .
MIXING CONTROL H779 / MR-8				PAGE 2 OF 3
STUDER		INPUT UNIT		SC 1.775.420.81



1.775.420.81 INPUT UNIT

Ad	..Pos..	...Ref.No...	Description					
C.....1	59.34.4151	150 pF	10%, 25V, C		R....5	57.11.3104	100 KOhm	1%, 0.25W, MF
C.....2	59.22.3101	100 uF	-20%, 10V, EL		R....6	57.11.5106	10 MOhm	5%, 0.25W, MF
C.....3	59.22.3101	100 uF	-20%, 10V, EL		R....7	57.11.3222	2.2 KOhm	1%, 0.25W, MF
C.....4	59.22.3101	100 uF	-20%, 10V, EL		R....8	57.11.3561	560 Ohm	1%, 0.25W, MF
C.....5	59.06.0104	100 nF	10%, 25V, PETP		R....9	57.11.3362	3.6 KOhm	1%, 0.25W, MF
C.....6	59.22.3101	100 uF	-20%, 10V, EL		R....10	57.11.3472	4.7 KOhm	1%, 0.25W, MF
C.....7	59.06.0104	100 nF	10%, 25V, PETP		R....11	57.11.3362	3.6 KOhm	1%, 0.25W, MF
C.....8	59.34.1150	15 pF	10%, 25V, C		R....12	57.11.3684	680 KOhm	1%, 0.25W, MF
C.....9	59.22.5101	100 uF	-20%, 25V, EL		R....13	57.11.5106	10 MOhm	1%, 0.25W, MF
C.....10	59.22.5101	100 uF	-20%, 25V, EL		R....14	57.11.5106	10 MOhm	5%, 0.25W, MF
C.....11	59.22.3101	100 uF	-20%, 10V, EL		R....15	57.11.3473	47 KOhm	1%, 0.25W, MF
C.....12	59.06.5103	10 nF	10%, 25V, PETP		R....16	57.11.3473	47 KOhm	1%, 0.25W, MF
C.....13	59.06.5103	10 nF	10%, 25V, PETP		R....17	57.11.3102	1 KOhm	1%, 0.25W, MF
C.....14	59.06.5224	220 nF	10%, 25V, PETP		R....18	57.11.3102	1 KOhm	1%, 0.25W, MF
C.....15	59.22.3101	100 uF	-20%, 10V, EL		R....19	57.11.3561	560 Ohm	1%, 0.25W, MF
C.....16	59.22.3101	100 uF	-20%, 10V, EL		R....20	57.11.3302	3 KOhm	1%, 0.25W, MF
C.....17	59.06.5103	10 nF	10%, 25V, PETP		R....21	57.11.3332	3.3 KOhm	1%, 0.25W, MF
C.....18	59.06.5103	10 nF	10%, 25V, PETP		R....22	57.11.3684	680 KOhm	1%, 0.25W, MF
C.....19	59.06.5224	220 nF	10%, 25V, PETP		R....23	57.11.3302	3 KOhm	1%, 0.25W, MF
C.....20	59.34.1150	15 pF	10%, 25V, C		R....24	57.11.3684	680 KOhm	1%, 0.25W, MF
C.....21	59.34.1150	15 pF	10%, 25V, C		R....25	57.11.3561	560 Ohm	1%, 0.25W, MF
C.....22	59.22.6100	10 uF	-20%, 10V, EL		R....26	57.11.3332	3.3 KOhm	1%, 0.25W, MF
C.....23	59.22.6100	10 uF	-20%, 10V, EL		R....27	57.11.3561	560 Ohm	1%, 0.25W, MF
C.....24	59.22.6100	10 uF	-20%, 10V, EL		R....28	57.11.3684	680 KOhm	1%, 0.25W, MF
C.....26	59.34.4680	68 pF	10%, 25V, C		R....29	57.11.3684	680 KOhm	1%, 0.25W, MF
C.....27	59.34.4680	68 pF	10%, 25V, C		R....30	57.11.3684	680 KOhm	1%, 0.25W, MF
C.....28	59.22.6100	10 uF	-20%, 10V, EL		R....31	57.11.3102	1 KOhm	1%, 0.25W, MF
C.....29	59.22.3101	100 uF	-20%, 10V, EL		R....32	57.11.3102	1 KOhm	1%, 0.25W, MF
C.....30	59.22.3101	100 uF	-20%, 10V, EL		R....33	57.11.3472	4.7 KOhm	1%, 0.25W, MF
C.....31	59.22.3101	100 uF	-20%, 10V, EL		R....34	57.11.3472	4.7 KOhm	1%, 0.25W, MF
C.....32	59.34.4151	150 pF	10%, 25V, C		R....35	57.11.3472	4.7 KOhm	1%, 0.25W, MF
C.....33	59.34.4151	150 pF	10%, 25V, C		R....36	57.11.3222	2.2 KOhm	1%, 0.25W, MF
C.....34	59.06.0105	1 uF	10%, 25V, PETP		R....37	57.11.3392	3.9 KOhm	1%, 0.25W, MF
C.....35	59.22.3101	100 uF	-20%, 10V, EL		R....38	57.11.3222	2.2 KOhm	1%, 0.25W, MF
C.....36	59.34.4151	150 pF	10%, 25V, C		R....39	57.11.3104	100 KOhm	1%, 0.25W, MF
C.....38	59.06.0105	1 uF	10%, 25V, PETP		R....40	57.11.3104	100 KOhm	1%, 0.25W, MF
C.....39	59.22.3101	100 uF	-20%, 10V, EL		R....41	57.11.3162	1.6 KOhm	1%, 0.25W, MF
C.....40	59.22.3101	100 uF	-20%, 10V, EL		R....42	57.11.3332	3.3K Ohm	1%, 0.25W, MF
C.....42	59.22.3101	100 uF	-20%, 10V, EL		R....43	57.11.5106	10 MOhm	5%, 0.25W, MF
C.....43	59.22.3101	100 uF	-20%, 10V, EL		R....44	57.11.3684	680 KOhm	1%, 0.25W, MF
C.....44	59.06.0222	2.2 nF	10%, 25V, PETP		R....45	57.11.3104	100 KOhm	1%, 0.25W, MF
C.....45	59.34.4151	150 pF	10%, 25V, C		R....46	57.11.3103	10 KOhm	1%, 0.25W, MF
C.....46	59.34.4151	150 pF	10%, 25V, C		R....47	57.11.3474	470 KOhm	1%, 0.25W, MF
C.....47	59.34.4101	100 pF	10%, 25V, C		R....48	57.11.3150	15 Ohm	1%, 0.25W, MF
C.....48	59.06.0222	2.2 nF	10%, 25V, PETP		R....49	57.11.3222	2.2 KOhm	1%, 0.25W, MF
C.....49	59.34.4101	100 pF	10%, 25V, C		R....50	57.11.3222	2.2 KOhm	1%, 0.25W, MF
C.....50	59.22.3101	100 uF	-20%, 10V, EL		R....51	57.11.3150	15 Ohm	1%, 0.25W, MF
C.....51	59.22.3101	100 uF	-20%, 10V, EL		R....52	57.11.3472	4.7 KOhm	1%, 0.25W, MF
C.....52	59.06.5224	220 nF	10%, 25V, PETP		R....53	57.11.3472	4.7 KOhm	1%, 0.25W, MF
C.....53	59.22.3101	100 uF	-20%, 10V, EL		R....54	57.11.3104	100 KOhm	1%, 0.25W, MF
C.....54	59.22.3101	100 uF	-20%, 10V, EL		R....55	57.11.3104	100 KOhm	1%, 0.25W, MF
C.....55	59.22.3101	100 uF	-20%, 10V, EL		R....56	57.11.3104	100 KOhm	1%, 0.25W, MF
D.....1	50.04.0125	1N 4448	any		R....57	57.11.3103	10 KOhm	1%, 0.25W, MF
D.....2	50.04.0125	1N 4448	any		R....58	57.11.3103	10 KOhm	1%, 0.25W, MF
D.....5	50.04.0125	1N 4448	any		R....59	57.11.3123	12 KOhm	1%, 0.25W, MF
D.....6	50.04.0523	BAT 81	Schottky-Diode		R....60	57.11.3272	2.7 KOhm	1%, 0.25W, MF
IC....1	50.09.0117	MC33078P		Mot	R....61	57.11.3512	5.1 KOhm	1%, 0.25W, MF
IC....2	50.09.0117	MC33078P		Mot	R....62	57.11.3123	12 KOhm	1%, 0.25W, MF
IC....3	50.09.0107	RC4559		Ra	R....63	57.11.3103	10 KOhm	1%, 0.25W, MF
IC....4	50.09.0107	RC4559		Ra	R....64	57.11.3474	470 KOhm	1%, 0.25W, MF
IC....5	50.09.0107	RC4559		Ra	R....65	57.11.3103	10 KOhm	1%, 0.25W, MF
IC....6	50.09.0107	RC4559		Ra	R....66	57.11.3510	51 Ohm	1%, 0.25W, MF
IC....7	50.09.0107	RC4559		Ra	R....67	57.11.3392	3.9 KOhm	1%, 0.25W, MF
IC....8	50.09.0107	RC4559		TI	R....68	57.11.3474	470 KOhm	1%, 0.25W, MF
IC....9	50.09.0121	TL072B		dbx	R....69	57.11.3104	100 KOhm	1%, 0.25W, MF
IC....10	50.11.0140	dbx2150A	VCA	dbx	R....70	57.11.3103	10 KOhm	1%, 0.25W, MF
IC....11	50.11.0140	dbx2150A	VCA	dbx	R....71	57.11.3510	51 Ohm	1%, 0.25W, MF
J.....1	54.01.0235	9-Pole	CIS		R....72	57.11.3104	100 KOhm	1%, 0.25W, MF
MP....1	1.775.420.11		INPUT PCB		R....73	57.11.3392	3.9 KOhm	1%, 0.25W, MF
MP....2	54.01.0232	9-Pole	CIS		R....74	57.11.5106	10 MOhm	5%, 0.25W, MF
MP....3	54.01.0282	14-Pole	CIS		R....75	57.11.5106	10 MOhm	5%, 0.25W, MF
MP....4	21.38.1352		Screw		R....76	57.11.5106	10 MOhm	5%, 0.25W, MF
MP....5	21.38.1352		Screw		R....77	57.11.5106	10 MOhm	5%, 0.25W, MF
MP....6	21.38.1352		Screw		R....78	57.11.3103	10 KOhm	1%, 0.25W, MF
MP....7	1.775.370.20		U-Profile		R....79	57.11.3223	22 KOhm	1%, 0.25W, MF
MP....8	54.33.6010	2.8mm	AMP		R....80	57.11.3223	22 KOhm	1%, 0.25W, MF
MP....9	54.33.6010	2.8mm	AMP		R....81	57.11.3103	10 KOhm	1%, 0.25W, MF
MP....10	1.775.420.02		Nr. Label		R....82	57.11.3102	1 KOhm	1%, 0.25W, MF
MP....11	43.01.0108		ESE Label		R....83	57.11.3272	2.7 KOhm	1%, 0.25W, MF
Q.....1	50.03.0350	J 112	FET	Mot	R....84	57.11.3272	2.7 KOhm	1%, 0.25W, MF
Q.....2	50.03.0350	J 112	FET	Mot	R....85	57.11.3682	6.8 KOhm	1%, 0.25W, MF
Q.....3	50.03.0350	J 112	FET	Mot	R....86	57.11.3104	100 KOhm	1%, 0.25W, MF
Q.....4	50.03.0436	BC 237	NPN	Mot	R....87	57.11.3104	100 KOhm	1%, 0.25W, MF
Q.....5	50.03.0350	J 112	FET	Mot	R....88	57.11.3102	1 KOhm	1%, 0.25W, MF
Q.....6	50.03.0350	J 112	FET	Mot	R....89	57.11.3162	1.6 KOhm	1%, 0.25W, MF
Q.....7	50.03.0350	J 112	FET	Mot	R....90	57.11.3223	22 KOhm	1%, 0.25W, MF
Q.....8	50.03.0350	J 112	FET	Mot	R....91	57.11.3513	51 KOhm	1%, 0.25W, MF
Q.....9	50.03.0350	J 112	FET	Mot	R....92	57.11.5106	10 MOhm	5%, 0.25W, MF
Q.....10	50.03.0350	J 112	FET	Mot	R....93	57.11.3104	100 KOhm	1%, 0.25W, MF
Q.....11	50.03.0350	J 112	FET	Mot	R....94	57.11.3271	270 Ohm	1%, 0.25W, MF
R.....1	57.11.3104	100 KOhm	1%, 0.25W, MF		R....96	57.11.3223	22 KOhm	1%, 0.25W, MF
R.....2	57.11.3684	680 KOhm	1%, 0.25W, MF		R....97	57.11.3104	100 KOhm	1%, 0.25W, MF
R.....3	57.11.3104	100 KOhm	1%, 0.25W, MF		R....98	57.11.3104	100 KOhm	1%, 0.25W, MF
R.....4	57.11.3104	100 KOhm	1%, 0.25W, MF					

1.775.420.81 INPUT UNIT (CONT.)

Ad	..Pos..	...Ref.No...	Description
R....99	57.11.5106	10 MOhm	5%, 0.25W, MF
R....100	57.11.5106	10 MOhm	5%, 0.25W, MF
RA....3	58.01.9503	50 KOhm	10%, 0.50W, C
RA....4	58.01.9503	50 KOhm	10%, 0.50W, C
RA....5	1.775.330.02	3*47 KOhm	pos.log
RA....6	1.775.800.03	2*4.7KOhm	lin.
RA....7	1.775.800.04	2* 22KOhm	lin.
RA....8	1.369.150.03	1* 10KOhm	pos.log + Switch 1*2u
RA....9	1.775.330.06	1*4.7KOhm	lin.
RA....10	1.775.330.07	1* 10KOhm	lin. Fader
RA....11	58.01.9202	2 KOhm	10%, 0.50W, C
RA....12	58.01.9202	2 KOhm	10%, 0.50W, C
RA....13	58.01.9502	5 KOhm	10%, 0.50W, C
RA....14	58.01.9501	500 Ohm	10%, 0.50W, C
S.....1	1.775.330.01		1Step/4Pos.
S.....2	55.15.0109		1*2u
W.....1	1.775.330.93		Wire List
X.....1	53.03.0218	4-pole	Socket
X.....2	53.03.0218	4-pole	Socket
X.....3	53.03.0218	1-pole	Socket

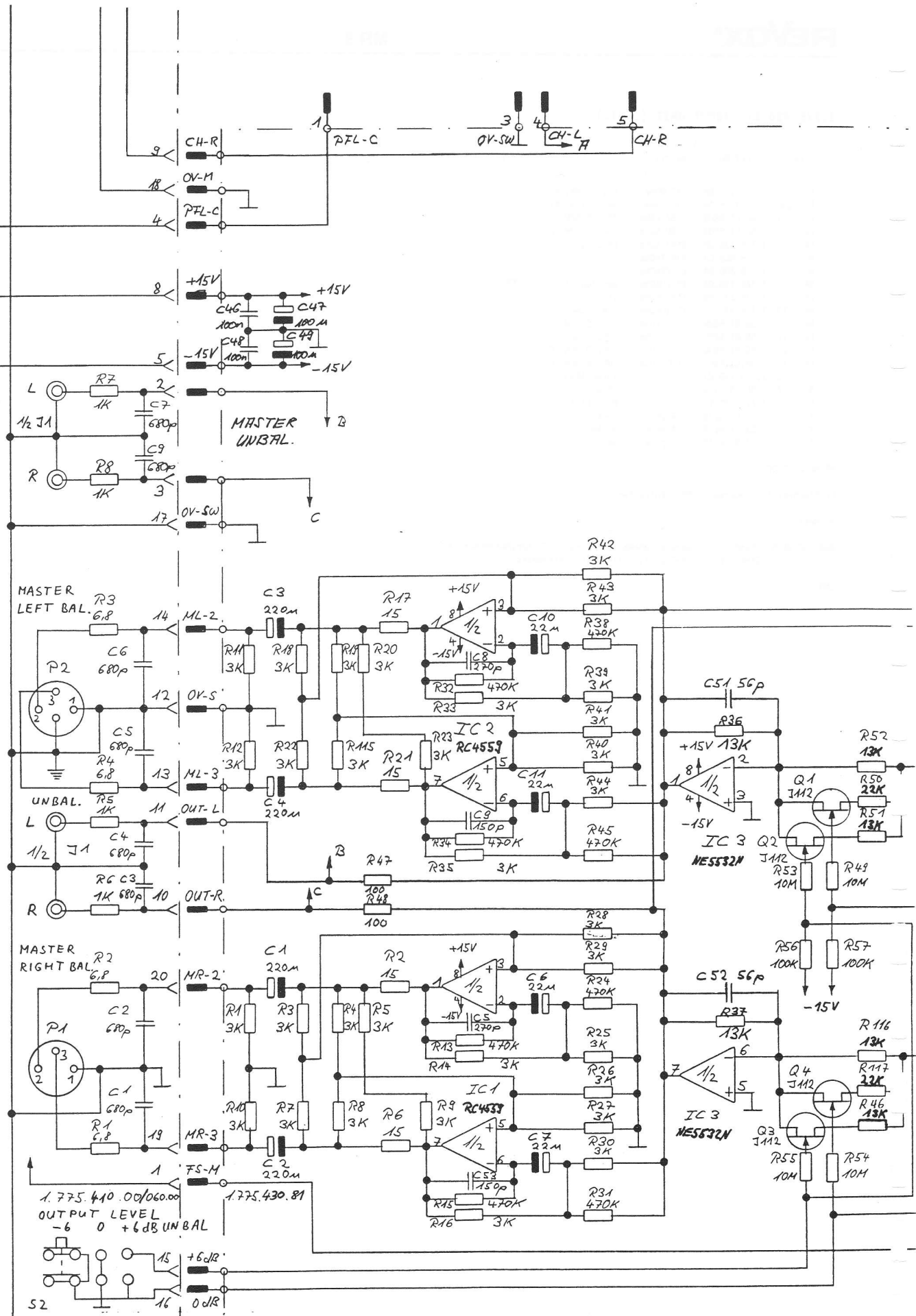
KG 92/01/2200

EL=Electrolytic,C=Ceramic, PETP=Polyester

MF=Metal Film

MANUFACTURER: dbx=dbx Incorporated, NS=National Semiconductor, Mot=Motorola
RA=Raytheon, SIG=Signetics, TI=Texas Instruments

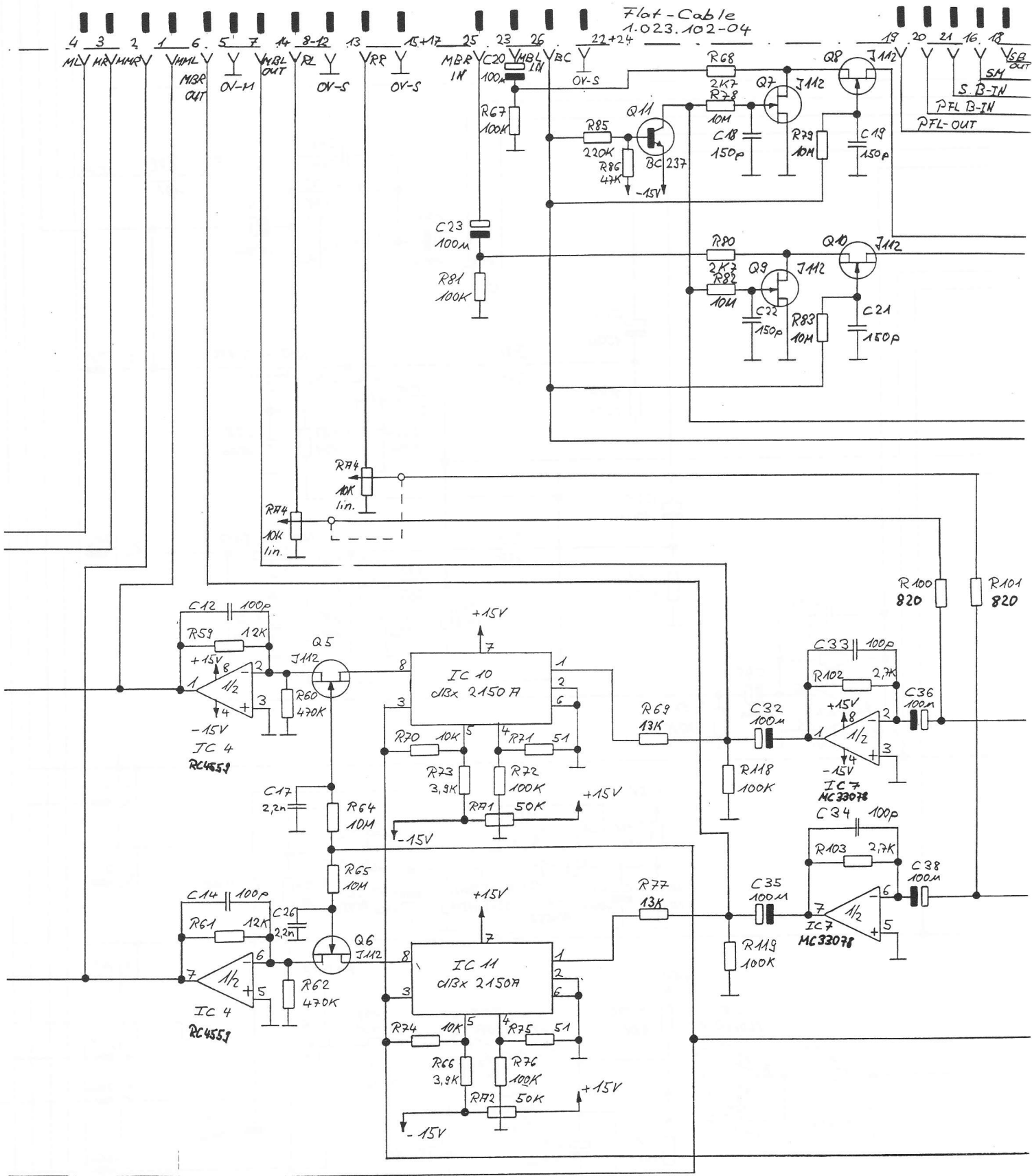
END



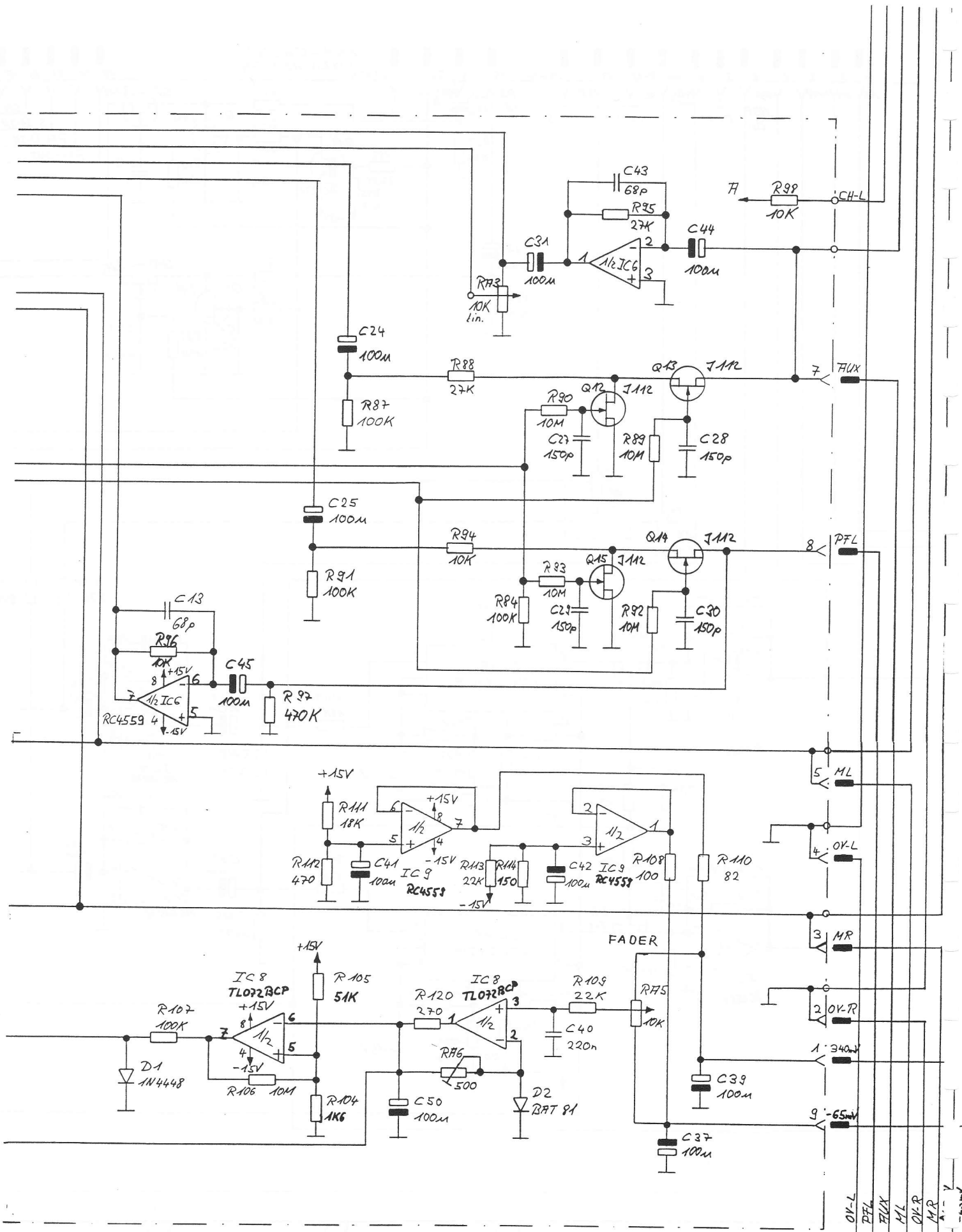
CONNECTION UNIT
1.775.410.00/060.00

MASTER UNIT
1.775.430.81

07.02.92 G.Kaeschhammer	MIXING CONSOLE 7779 / MR-8	PAGE 1 OF 3
STUDER	MASTER UNIT	SC 1.775.430.81



07.02.92 G. Kaashammer				
MIXING CONSOLE 7779 / MR-8			PAGE 2 OF 3	
STUDER	MASTER UNIT		SC	1.775.430.81



1.775.430.81 MASTER UNIT

Ad	Pos.	Ref.No.	Description						
C.....1		59.22.3221	220 uF	-20%, 10V, EL					
C.....2		59.22.3221	220 uF	-20%, 10V, EL					
C.....3		59.22.3221	220 uF	-20%, 10V, EL					
C.....4		59.22.3221	220 uF	-20%, 10V, EL					
C.....5		59.34.4271	270 pF	10%, 25V, C					
C.....6		59.22.5220	22 uF	-20%, 10V, EL					
C.....7		59.22.5220	22 uF	-20%, 10V, EL					
C.....8		59.34.4271	270 pF	10%, 25V, C					
C.....9		59.34.4151	150 pF	10%, 25V, C					
C.....10		59.22.5220	22 uF	-20%, 10V, EL					
C.....11		59.22.5220	22 uF	-20%, 10V, EL					
C.....12		59.34.4101	100 pF	10%, 25V, C					
C.....13		59.34.4680	68 pF	10%, 25V, C					
C.....14		59.34.4101	100 pF	10%, 25V, C					
C.....17		59.06.0222	2.2 nF	10%, 25V, C	PETP				
C.....18		59.34.4151	150 pF	10%, 25V, C					
C.....19		59.34.4151	150 pF	10%, 25V, C					
C.....20		59.22.3101	100 uF	-20%, 10V, EL					
C.....21		59.34.4151	150 pF	10%, 25V, C					
C.....22		59.34.4151	150 pF	10%, 25V, C					
C.....23		59.22.3101	100 uF	-20%, 10V, EL					
C.....24		59.22.3101	100 uF	-20%, 10V, EL					
C.....25		59.22.3101	100 uF	-20%, 10V, EL					
C.....26		59.06.0222	2.2 nF	10%, 25V, C	PETP				
C.....27		59.34.4151	150 pF	10%, 25V, C					
C.....28		59.34.4151	150 pF	10%, 25V, C					
C.....29		59.34.4151	150 pF	10%, 25V, C					
C.....30		59.34.4151	150 pF	10%, 25V, C					
C.....31		59.22.3101	100 uF	-20%, 10V, EL					
C.....32		59.22.3101	100 uF	-20%, 10V, EL					
C.....33		59.34.4101	100 pF	10%, 25V, C					
C.....34		59.34.4101	100 pF	10%, 25V, C					
C.....35		59.22.3101	100 uF	-20%, 10V, EL					
C.....36		59.22.3101	100 uF	-20%, 10V, EL					
C.....37		59.22.3101	100 uF	-20%, 10V, EL					
C.....38		59.22.3101	100 uF	-20%, 10V, EL					
C.....39		59.22.3101	100 uF	-20%, 10V, EL					
C.....40		59.06.0224	220 nF	10%, 25V, C	PETP				
C.....41		59.22.3101	100 uF	-20%, 10V, EL					
C.....42		59.22.3101	100 uF	-20%, 10V, EL					
C.....43		59.34.4680	68 pF	10%, 25V, C					
C.....44		59.22.3101	100 uF	-20%, 10V, EL					
C.....45		59.22.3101	100 uF	-20%, 10V, EL					
C.....46		59.06.0104	100 nF	10%, 10V, C	PETP				
C.....47		59.22.5101	100 uF	-20%, 25V, EL					
C.....48		59.06.0104	100 nF	10%, 10V, C	PETP				
C.....49		59.22.5101	100 uF	-20%, 25V, EL					
C.....50		59.22.3101	100 uF	-20%, 10V, EL					
C.....51		59.34.4560	56 pF	10%, 25V, C					
C.....52		59.34.4560	56 pF	10%, 25V, C					
C.....53		59.34.4151	150 pF	10%, 25V, C					
D.....1		50.04.0125	1N 4448						
D.....2		50.04.0523	BAT 81						
IC.....1		50.09.0107	RC4559		Ra				
IC.....2		50.09.0107	RC4559		Ra				
IC.....3		50.09.0105	NES532N		NS				
IC.....4		50.09.0107	RC4559		Ra				
IC.....6		50.09.0107	RC4559		Ra				
IC.....7		50.09.0117	MC33078		Ra				
IC.....8		50.09.0121	TL072B		TI				
IC.....9		50.09.0107	RC4559		Ra				
IC.....10		50.11.0140	dbx2150A	VCA	dbx				
IC.....11		50.11.0140	dbx2150A	VCA	dbx				
J.....1		54.01.0235	9-Pole	CIS					
J.....2		54.14.2074	26-Pole	PCB Connector for Flat-Cable					
MP.....1		1.775.430.11		MASTER PCB					
MP.....2		54.01.0264	5-Pole	CIS					
MP.....3		54.01.0233	7-Pole	CIS					
MP.....4		54.01.0286	20-Pole	CIS					
MP.....5		1.775.370.41		U-Profile					
MP.....6		21.38.1352	3 pcs	Screw					
MP.....7		43.01.0108		ESE Label					
MP.....8		1.775.430.04		Nr. Label					
Q.....1		50.03.0350	J 112	FET	Not				
Q.....2		50.03.0350	J 112	FET	Not				
Q.....3		50.03.0350	J 112	FET	Not				
Q.....4		50.03.0350	J 112	FET	Not				
Q.....5		50.03.0350	J 112	FET	Not				
Q.....6		50.03.0350	J 112	FET	Not				
Q.....7		50.03.0350	J 112	FET	Not				
Q.....8		50.03.0350	J 112	FET	Not				
Q.....9		50.03.0350	J 112	FET	Not				
Q.....10		50.03.0350	J 112	FET	Not				
Q.....11		50.03.0436	BC 237	PNP					
Q.....12		50.03.0350	J 112	FET	Not				
Q.....13		50.03.0350	J 112	FET	Not				
Q.....14		50.03.0350	J 112	FET	Not				
Q.....15		50.03.0350	J 112	FET	Not				
R.....1		57.11.3302	3 KOhm	1%, 0.25W, MF					
R.....2		57.11.3150	15 Ohm	1%, 0.25W, MF					
R.....3		57.11.3302	3 KOhm	1%, 0.25W, MF					
R.....4		57.11.3302	3 KOhm	1%, 0.25W, MF					
R.....5		57.11.3302	3 KOhm	1%, 0.25W, MF					
R.....6		57.11.3150	15 Ohm	1%, 0.25W, MF					
R.....7		57.11.3302	3 KOhm	1%, 0.25W, MF					
R.....8		57.11.3302	3 KOhm	1%, 0.25W, MF					
R.....9		57.11.3302	3 KOhm	1%, 0.25W, MF					
R.....10		57.11.3302	3 KOhm	1%, 0.25W, MF					
R.....11		57.11.3302	3 KOhm	1%, 0.25W, MF					
R.....12		57.11.3302	3 KOhm	1%, 0.25W, MF					
R.....13		57.11.3474	470 KOhm	1%, 0.25W, MF					
R.....14		57.11.3302	3 KOhm	1%, 0.25W, MF					
R.....15		57.11.3474	470 KOhm	1%, 0.25W, MF					
R.....16		57.11.3302	3 KOhm	1%, 0.25W, MF					
R.....17		57.11.3150	15 Ohm	1%, 0.25W, MF					
R.....18		57.11.3302	3 KOhm	1%, 0.25W, MF					
R.....19		57.11.3302	3 KOhm	1%, 0.25W, MF					
R.....20		57.11.3302	3 KOhm	1%, 0.25W, MF					
R.....21		57.11.3150	15 Ohm	1%, 0.25W, MF					
R.....22		57.11.3302	3 KOhm	1%, 0.25W, MF					
R.....23		57.11.3302	3 KOhm	1%, 0.25W, MF					
R.....24		57.11.3474	470 KOhm	1%, 0.25W, MF					
R.....25		57.11.3302	3 KOhm	1%, 0.25W, MF					
R.....26		57.11.3302	3 KOhm	1%, 0.25W, MF					
R.....27		57.11.3302	3 KOhm	1%, 0.25W, MF					
R.....28		57.11.3302	3 KOhm	1%, 0.25W, MF					
R.....29		57.11.3302	3 KOhm	1%, 0.25W, MF					
R.....30		57.11.3302	3 KOhm	1%, 0.25W, MF					
R.....31		57.11.3474	470 KOhm	1%, 0.25W, MF					
R.....32		57.11.3474	470 KOhm	1%, 0.25W, MF					
R.....33		57.11.3302	3 KOhm	1%, 0.25W, MF					
R.....34		57.11.3474	470 KOhm	1%, 0.25W, MF					
R.....35		57.11.3302	3 KOhm	1%, 0.25W, MF					
R.....36		57.11.3133	13 KOhm	1%, 0.25W, MF					
R.....37		57.11.3133	13 KOhm	1%, 0.25W, MF					
R.....38		57.11.3474	470 KOhm	1%, 0.25W, MF					
R.....39		57.11.3302	3 KOhm	1%, 0.25W, MF					
R.....40		57.11.3302	3 KOhm	1%, 0.25W, MF					
R.....41		57.11.3302	3 KOhm	1%, 0.25W, MF					
R.....42		57.11.3302	3 KOhm	1%, 0.25W, MF					
R.....43		57.11.3302	3 KOhm	1%, 0.25W, MF					
R.....44		57.11.3302	3 KOhm	1%, 0.25W, MF					
R.....45		57.11.3474	470 KOhm	1%, 0.25W, MF					
R.....46		57.11.3133	13 KOhm	1%, 0.25W, MF					
R.....47		57.11.3101	100 Ohm	1%, 0.25W, MF					
R.....48		57.11.3101	100 Ohm	1%, 0.25W, MF					
R.....49		57.11.5106	10 MOhm	5%, 0.25W, MF					
R.....50		57.11.3223	22 KOhm	1%, 0.25W, MF					
R.....51		57.11.3133	13 KOhm	1%, 0.25W, MF					
R.....52		57.11.3133	13 KOhm	1%, 0.25W, MF					
R.....53		57.11.5106	10 MOhm	5%, 0.25W, MF					
R.....54		57.11.5106	10 MOhm	5%, 0.25W, MF					
R.....55		57.11.5106	10 MOhm	5%, 0.25W, MF					
R.....56		57.11.3104	100 KOhm	1%, 0.25W, MF					
R.....57		57.11.3104	100 KOhm	1%, 0.25W, MF					
R.....59		57.11.3123	12 KOhm	1%, 0.25W, MF					
R.....60		57.11.3474	470 KOhm	1%, 0.25W, MF					
R.....61		57.11.3123	12 KOhm	1%, 0.25W, MF					
R.....62		57.11.3474	470 KOhm	1%, 0.25W, MF					
R.....64		57.11.5106	10 MOhm	5%, 0.25W, MF					
R.....65		57.11.5106	10 MOhm	5%, 0.25W, MF					
R.....66		57.11.3392	3.9 KOhm	1%, 0.25W, MF					
R.....67		57.11.3104	100 KOhm	1%, 0.25W, MF					
R.....68		57.11.3272	2.7 KOhm	1%, 0.25W, MF					
R.....69		57.11.3133	13 KOhm	1%, 0.25W, MF					
R.....70		57.11.3103	10 KOhm	1%, 0.25W, MF					
R.....71		57.11.3510	51 Ohm	1%, 0.25W, MF					
R.....72		57.11.3104	100 KOhm	1%, 0.25W, MF					
R.....73		57.11.3392	3.9 KOhm	1%, 0.25W, MF					
R.....74		57.11.3103	10 KOhm	1%, 0.25W, MF					
R.....75		57.11.3510	51 Ohm	1%, 0.25W, MF					
R.....76		57.11.3104	100 KOhm	1%, 0.25W, MF					
R.....77		57.11.3133	13 KOhm	1%, 0.25W, MF					
R.....78		5							

1.775.430.81 MASTER UNIT (CONT.)

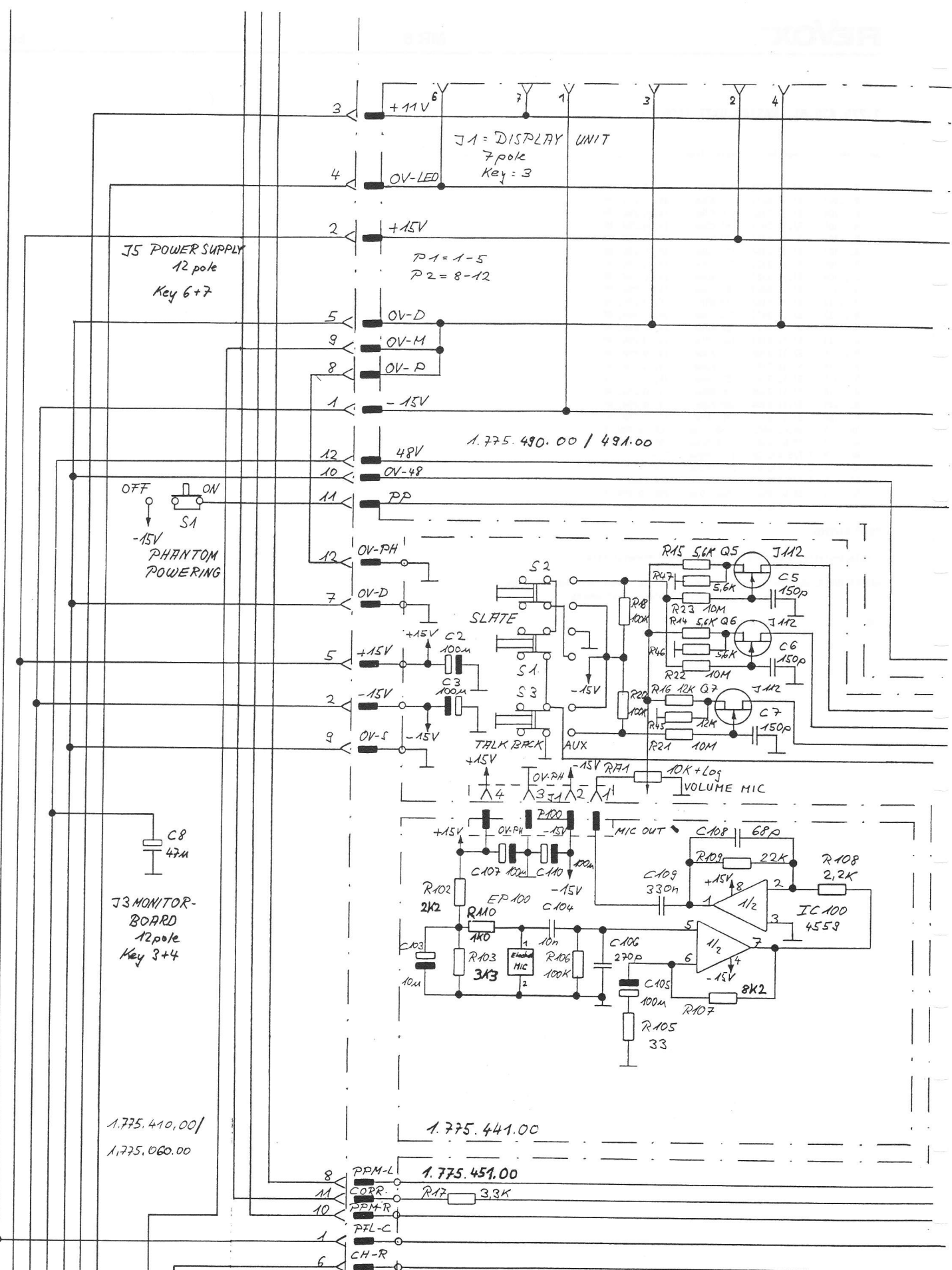
Ad	..Pos..	...Ref.No...	Description
R...	102	57.11.3272	2.7 KOhm 1%, 0.25W, MF
R...	103	57.11.3272	2.7 KOhm 1%, 0.25W, MF
R...	104	57.11.3162	1.6 KOhm 1%, 0.25W, MF
R...	105	57.11.3513	51 KOhm 1%, 0.25W, MF
R...	106	57.11.5106	10 MOhm 5%, 0.25W, MF
R...	107	57.11.3104	100 KOhm 1%, 0.25W, MF
R...	108	57.11.3101	100 Ohm 1%, 0.25W, MF
R...	109	57.11.3223	22 KOhm 1%, 0.25W, MF
R...	110	57.11.3820	82 Ohm 1%, 0.25W, MF
R...	111	57.11.3183	18 KOhm 1%, 0.25W, MF
R...	112	57.11.3471	470 Ohm 1%, 0.25W, MF
R...	113	57.11.3223	22 KOhm 1%, 0.25W, MF
R...	114	57.11.3151	150 Ohm 1%, 0.25W, MF
R...	115	57.11.3302	3 KOhm 1%, 0.25W, MF
R...	116	57.11.3133	13 KOhm 1%, 0.25W, MF
R...	117	57.11.3223	22 KOhm 1%, 0.25W, MF
R...	118	57.11.3104	100 KOhm 1%, 0.25W, MF
R...	119	57.11.3104	100 KOhm 1%, 0.25W, MF
R...	120	57.11.3271	270 Ohm 1%, 0.25W, MF
RA...	1	58.01.9503	50 KOhm 10%, 0.50W, C
RA...	2	58.01.9503	50 KOhm 10%, 0.50W, C
RA...	3	1.775.430.02	1* 10KOhm lin.
RA...	4	1.775.430.03	2* 10KOhm lin.
RA...	5	1.775.330.07	1* 10KOhm lin.Fader
RA...	6	58.01.9501	500 Ohm 10%, 0.50W, C
W.....	1	1.775.430.93	Wire List

KG 92/01/2200

EL=Electrolytic, C=Ceramic, PETP=Polyester, MF=Metal Film

MANUFACTURER: dbx=dbx Incorporated, Mot=Motorola, NS=National Semiconductor
 Ra=Raytheon, Sig=Signetics, TI=Texas Instruments

END



JS POWER SUPPLY
12 pole
Key 6+7

J1 = DISPLAY UNIT
7 pole
Key = 3

OFF ON
S1
-15V
PHANTOM
POWERING

J3 MONITOR-
BOARD
12 pole
Key 3+4

1.775.410.00/
1.775.060.00

1.775.441.00

1.775.451.00

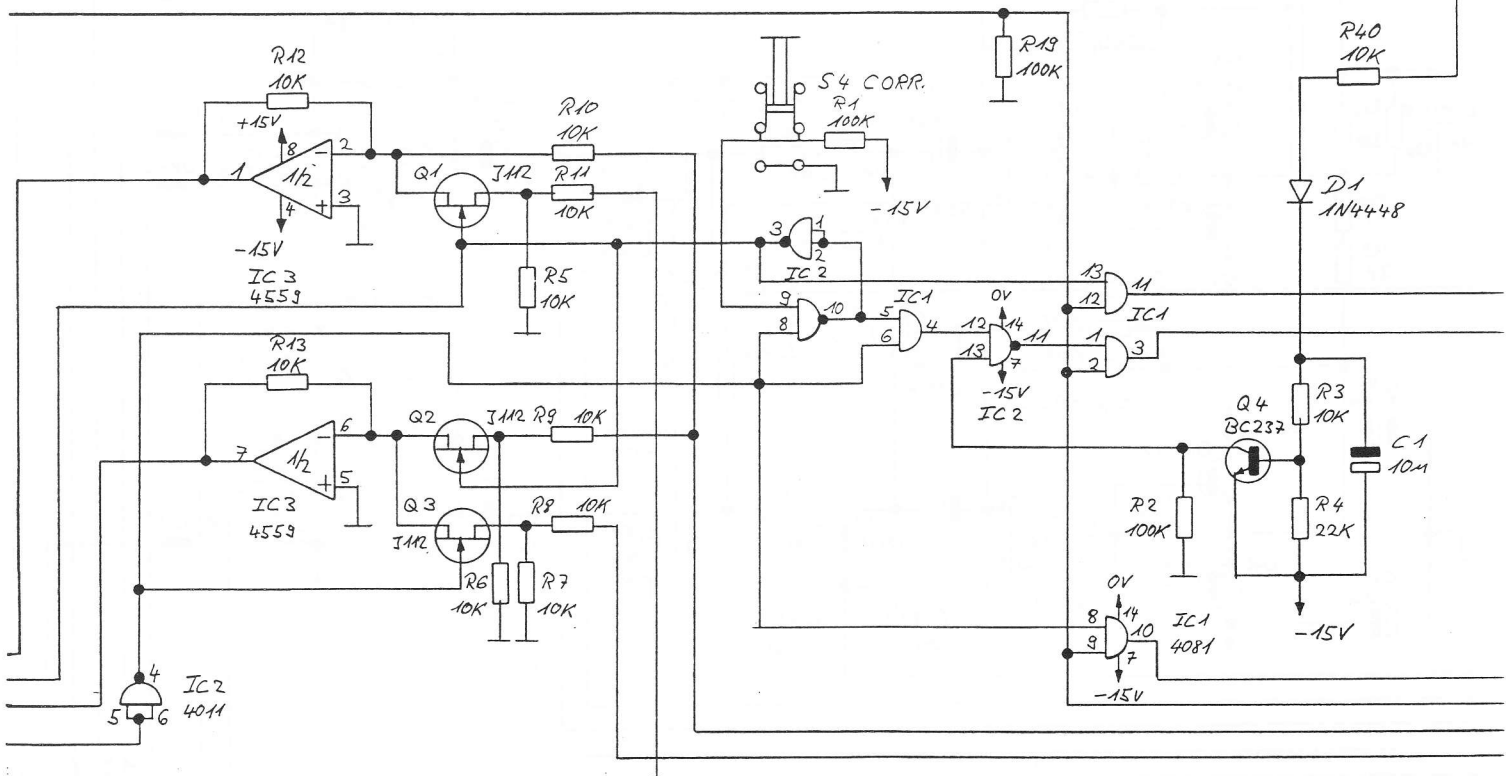
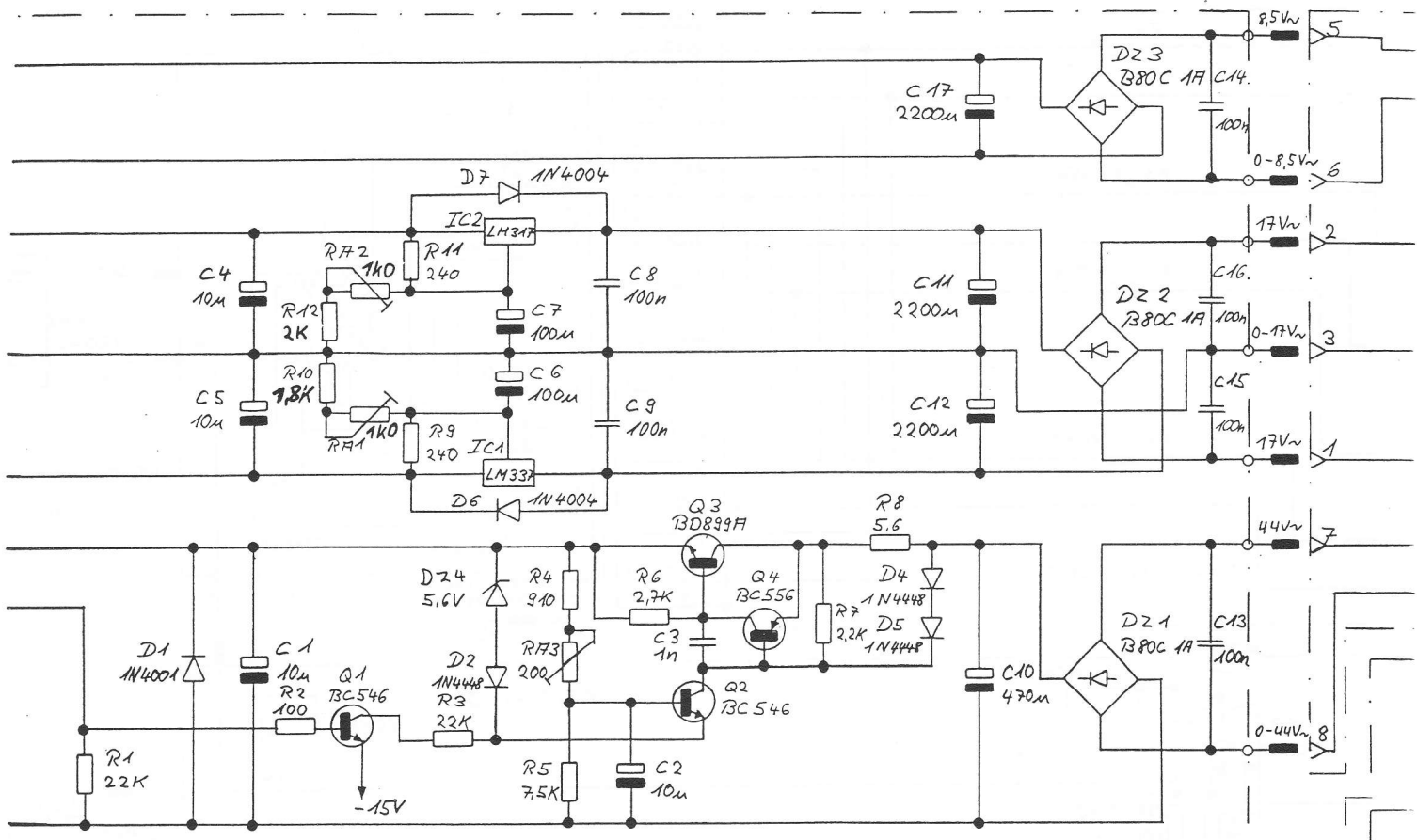
CONNECTION UNIT
1.775.410.00/060.00

POWER SUPPLY
1.775.490.00/491.00

MICROPHONE UNIT
1.775.441.00

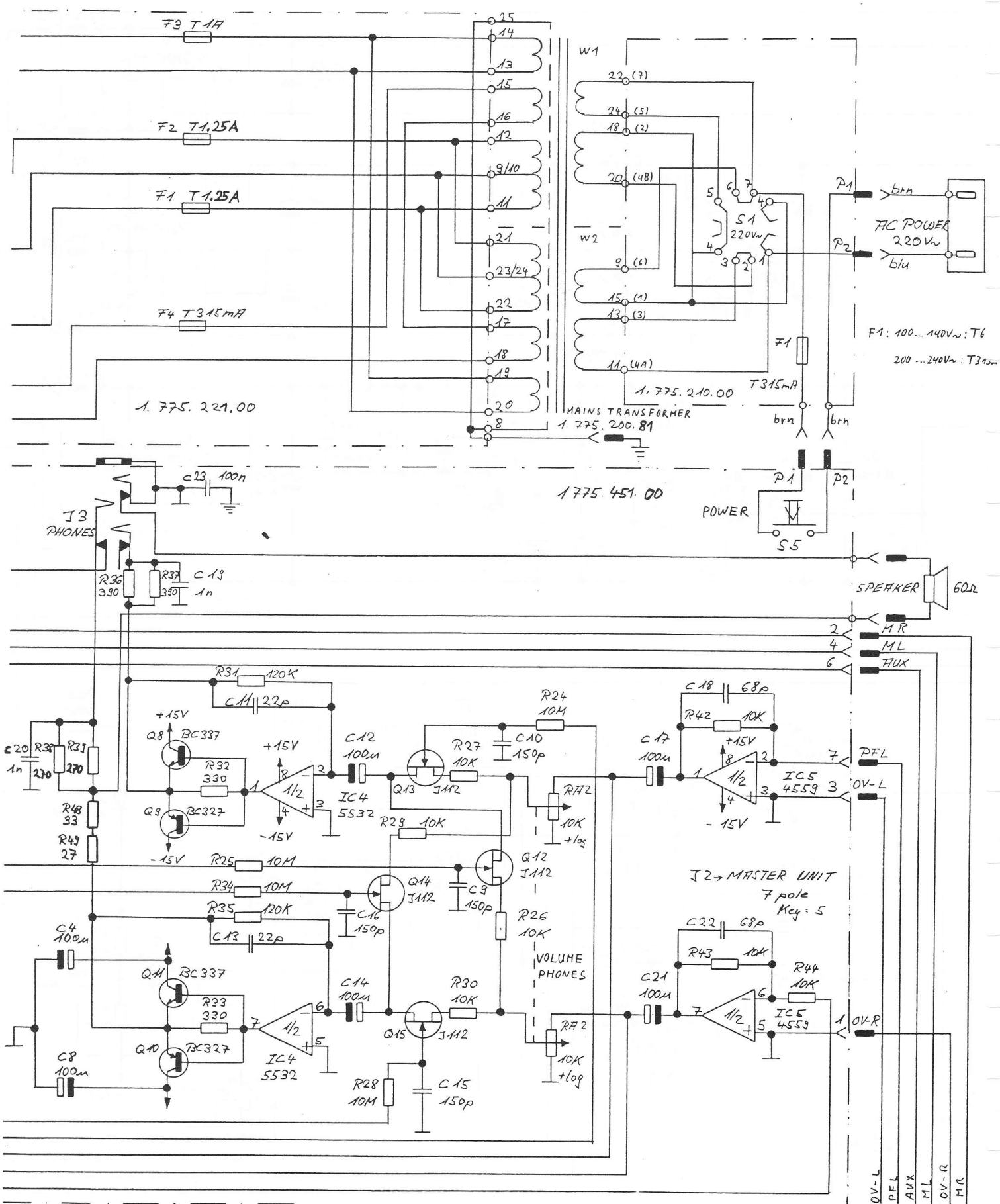
MONITOR UNIT
1.775.451.00

07.02.92 G. Kerschhammer				
MIXING CONSOLE		A779 / MR-8		PAGE 1 OF 3
STUDER		MONITOR UNIT		SC 1.775.451.00



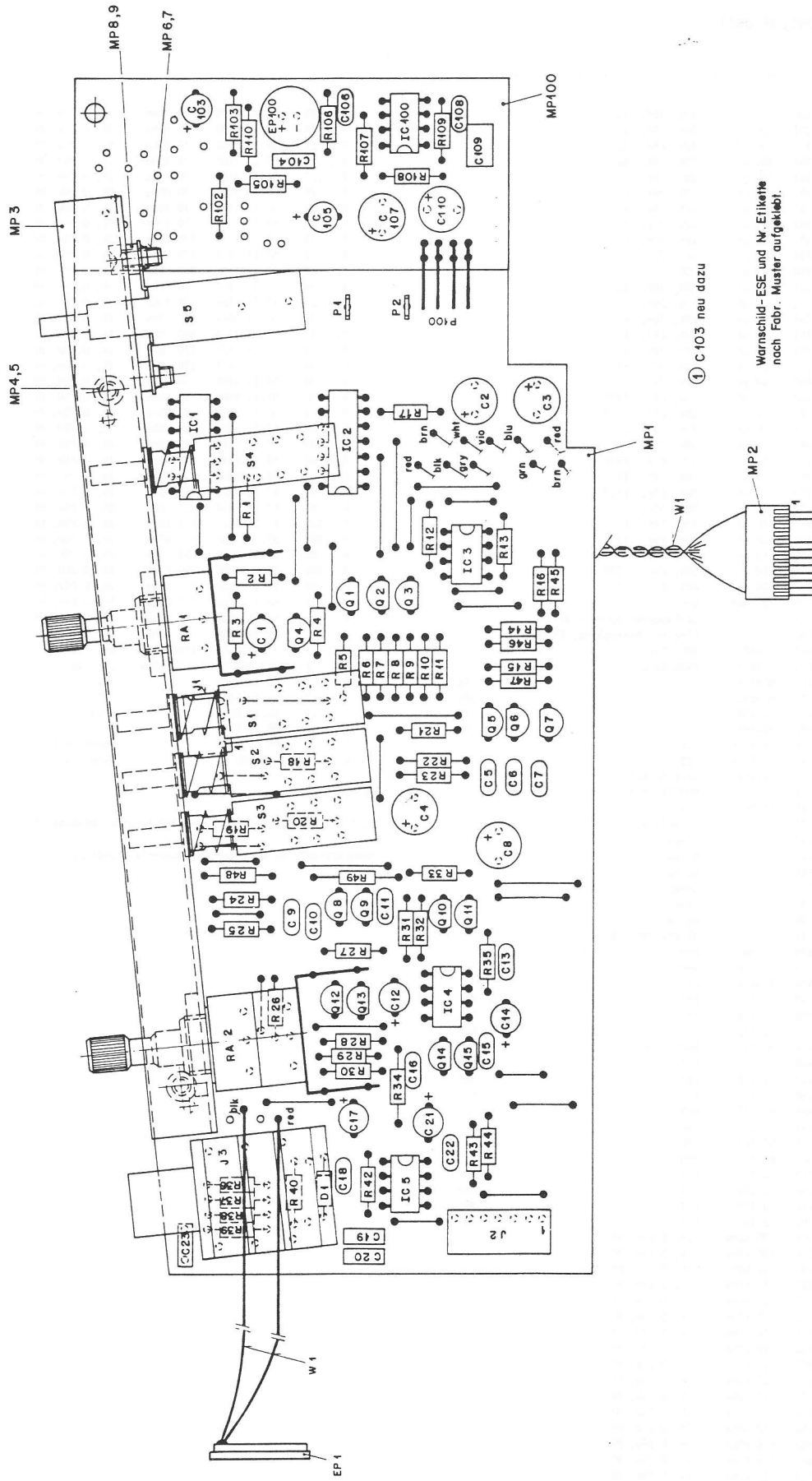
POWER SUPPLY 1.775.490.00/491.00 DISTRIBUTOR SEC. 1.775.221.00 MONITOR UNIT 1.775.451.00

07.02.92G/Kaesshammer				
MIXING CONSOLE		A779 / MR-8		PAGE 2 OF 3
STUDER		MONITOR UNIT		SC 1.775.451.00



DISTRIBUTOR SEC. 1.775.221.00 DISTRIBUTOR PRIM. 1.775.210.00 MAINS TRANSFORMER 1.775.200.81 MONITOR UNIT 1.775.451.00

07.02926. Warhammer	MIXING CONSOLE A779 / MR-8	PAGE 3 OF 3
STUDER	MONITOR UNIT	SC 1.775.451.00



① C 103 neu dazu

Warnschild-ESE und Nr. Etikette nach Fabr. Muster aufgeklebt.

Norm-Nr.	Güte	Änderung	3
DIN-Bez.	Oberricht.		2
Abmessung	Boh.		1
Zugehörige Unterlagen:	Freimasttoleranz:	30.492	0
PL, LL	±	12.12.91	0
Erstellt für:	Erstellt durch:	Datum	Gez.
		2.14	Gez.
		Kopie für:	Index
STUWER REGENSDORF ZÜRICH		1.775.451-00	

1.775.451.00 MONITOR UNIT

Ad ..Pos... ..Ref.No... Description

C.....1	59.22.6100	10 uF	-20%, 10V, EL
C.....2	59.22.5101	100 uF	-20%, 25V, EL
C.....3	59.22.5101	100 uF	-20%, 25V, EL
C.....4	59.22.5101	100 uF	-20%, 25V, EL
C.....5	59.34.4151	150 pF	10%, 25V, C
C.....6	59.34.4151	150 pF	10%, 25V, C
C.....7	59.34.4151	150 pF	10%, 25V, C
C.....8	59.22.5101	100 uF	-20%, 25V, EL
C.....9	59.34.4151	150 pF	10%, 25V, C
C.....10	59.34.4151	150 pF	10%, 25V, C
C.....11	59.34.2220	22 pF	10%, 25V, C
C.....12	59.22.3101	100 uF	-20%, 10V, EL
C.....13	59.34.2220	22 pF	10%, 25V, C
C.....14	59.22.3101	100 uF	-20%, 10V, EL
C.....15	59.34.4151	150 pF	10%, 25V, C
C.....16	59.34.4151	150 pF	10%, 25V, C
C.....17	59.22.3101	100 uF	-20%, 10V, EL
C.....18	59.34.4680	68 pF	10%, 25V, C
C.....19	59.06.0102	1 nF	10%, 25V, PETP
C.....20	59.06.0102	1 nF	10%, 25V, PETP
C.....21	59.22.3101	100 uF	-20%, 10V, EL
C.....22	59.34.4680	68 pF	10%, 25V, C
C.....23	59.06.0104	100 nF	10%, 25V, PETP
C...103	59.22.6100	10 uF	-20%, 25V, EL
C...104	59.06.0103	10 nF	10%, 25V, PETP
C...105	59.22.3101	100 uF	-20%, 10V, EL
C...106	59.34.4271	270 pF	10%, 25V, C
C...107	59.22.5101	100 uF	-20%, 25V, EL
C...108	59.34.4680	68 pF	10%, 25V, C
C...109	59.06.0334	330 nF	10%, 25V, PETP
C...110	59.22.5101	100 uF	-20%, 25V, EL
D.....1	50.04.0125	1N 4448	any
EP....1	71.01.0158		Lautspeaker 600hm 0.3W
EP...100	89.01.3450		Electret Microphone, EM 80
IC....1	50.07.0081	4081	AND Gate
IC....2	50.07.1011	4011	NAND Gate
IC....3	50.09.0107	RC4559	
IC....4	50.09.0105	NE5532A	
IC....5	50.09.0107	RC4559	
IC...100	50.09.0107	RC4559	
J.....1	54.01.0298	4-Pole	CIS
J.....2	54.01.0263	7-Pole	CIS
J.....3	1.710.350.02	Stereo	Jack Socket
MP....1	1.775.451.11		MONITOR PCB
MP....2	54.01.0231	12-Pole	CIS
MP....3	1.775.370.22		U-Profile
MP....4	21.38.1352		Screw
MP....5	21.38.1352		Screw
MP....6	21.26.0355		Screw
MP....7	21.26.0355		Screw
MP....8	1.775.370.30		Washer
MP....9	1.775.370.30		Washer
MP...100	1.775.441.11		MICROPHONE PCB
P.....1	54.02.0320	2.8mm	AMP
P.....2	54.02.0320	2.8mm	AMP
P...100	54.01.0424	4-Pole	CIS
Q.....1	50.03.0350	J 112	FET
Q.....2	50.03.0350	J 112	FET
Q.....3	50.03.0350	J 112	FET
Q.....4	50.03.0436	BC 237	NPN
Q.....5	50.03.0350	J 112	FET
Q.....6	50.03.0350	J 112	FET
Q.....7	50.03.0350	J 112	FET
Q.....8	50.03.0340	BC 337	NPN
Q.....9	50.03.0351	BC 327	PNP
Q.....10	50.03.0351	BC 327	PNP
Q.....11	50.03.0340	BC 337	NPN
Q.....12	50.03.0350	J 112	FET
Q.....13	50.03.0350	J 112	FET
Q.....14	50.03.0350	J 112	FET
Q.....15	50.03.0350	J 112	FET
R.....1	57.11.3104	100 KOhm	1%, 0.25W, MF
R.....2	57.11.3104	100 KOhm	1%, 0.25W, MF
R.....3	57.11.3103	10 KOhm	1%, 0.25W, MF
R.....4	57.11.3223	22 KOhm	1%, 0.25W, MF
R.....5	57.11.3103	10 KOhm	1%, 0.25W, MF
R.....6	57.11.3103	10 KOhm	1%, 0.25W, MF
R.....7	57.11.3103	10 KOhm	1%, 0.25W, MF
R.....8	57.11.3103	10 KOhm	1%, 0.25W, MF
R.....9	57.11.3103	10 KOhm	1%, 0.25W, MF
R.....10	57.11.3103	10 KOhm	1%, 0.25W, MF
R.....11	57.11.3103	10 KOhm	1%, 0.25W, MF
R.....12	57.11.3103	10 KOhm	1%, 0.25W, MF
R.....13	57.11.3103	10 KOhm	1%, 0.25W, MF
R.....14	57.11.3562	5.6 KOhm	1%, 0.25W, MF
R.....15	57.11.3562	5.6 KOhm	1%, 0.25W, MF
R.....16	57.11.3123	12 KOhm	1%, 0.25W, MF
R.....17	57.11.3332	3.3 KOhm	1%, 0.25W, MF
R.....18	57.11.3104	100 KOhm	1%, 0.25W, MF
R.....19	57.11.3104	100 KOhm	1%, 0.25W, MF
R.....20	57.11.3104	100 KOhm	1%, 0.25W, MF
R.....21	57.11.5106	10 MOhm	5%, 0.25W, MF
R.....22	57.11.5106	10 MOhm	5%, 0.25W, MF

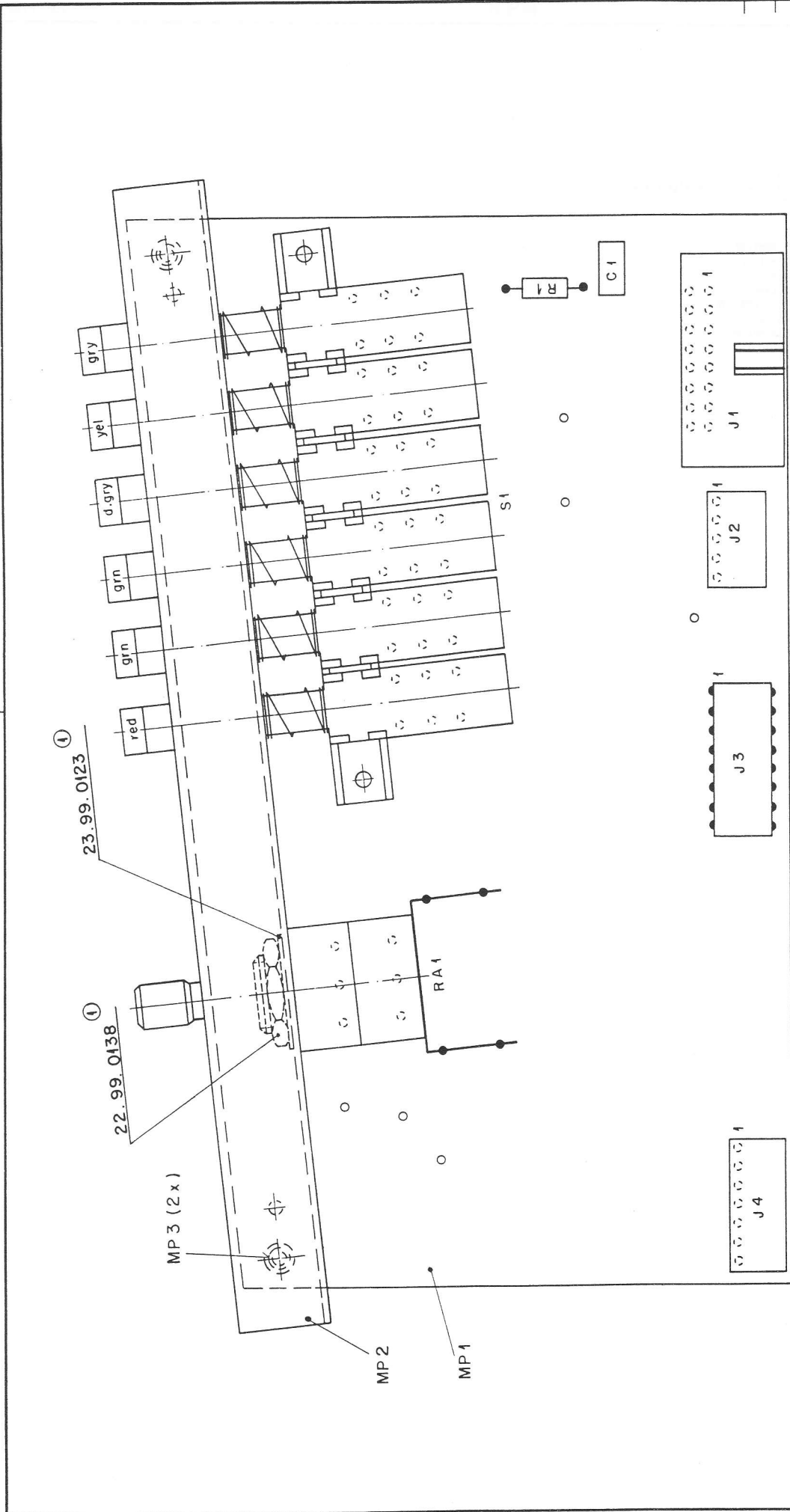
R....23	57.11.5106	10 MOhm	5%, 0.25W, MF
R....24	57.11.5106	10 MOhm	5%, 0.25W, MF
R....25	57.11.5106	10 MOhm	5%, 0.25W, MF
R....26	57.11.3103	10 KOhm	1%, 0.25W, MF
R....27	57.11.3103	10 KOhm	1%, 0.25W, MF
R....28	57.11.5106	10 MOhm	5%, 0.25W, MF
R....29	57.11.3103	10 KOhm	1%, 0.25W, MF
R....30	57.11.3103	10 KOhm	1%, 0.25W, MF
R....31	57.11.3124	120 KOhm	1%, 0.25W, MF
R....32	57.11.3331	330 Ohm	1%, 0.25W, MF
R....33	57.11.3331	330 Ohm	1%, 0.25W, MF
R....34	57.11.5106	10 MOhm	5%, 0.25W, MF
R....35	57.11.3124	120 KOhm	1%, 0.25W, MF
R....36	57.11.3391	390 Ohm	1%, 0.25W, MF
R....37	57.11.3391	390 Ohm	1%, 0.25W, MF
R....38	57.11.3271	270 Ohm	1%, 0.25W, MF
R....39	57.11.3271	270 Ohm	1%, 0.25W, MF
R....40	57.11.3103	10 KOhm	1%, 0.25W, MF
R....42	57.11.3103	10 KOhm	1%, 0.25W, MF
R....43	57.11.3103	10 KOhm	1%, 0.25W, MF
R....44	57.11.3103	10 KOhm	1%, 0.25W, MF
R....45	57.11.3123	12 KOhm	1%, 0.25W, MF
R....46	57.11.3562	5.6 KOhm	1%, 0.25W, MF
R....47	57.11.3562	5.6 KOhm	1%, 0.25W, MF
R....48	57.11.3330	33 Ohm	1%, 0.25W, MF
R....49	57.11.3270	27 Ohm	1%, 0.25W, MF
R...102	57.11.3222	2.2 KOhm	1%, 0.25W, MF
R...103	57.11.3332	3.3 KOhm	1%, 0.25W, MF
R...105	57.11.3330	33 Ohm	1%, 0.25W, MF
R...106	57.11.3104	100 KOhm	1%, 0.25W, MF
R...107	57.11.3822	8.2 KOhm	1%, 0.25W, MF
R...108	57.11.3222	2.2 KOhm	1%, 0.25W, MF
R...109	57.11.3223	22 KOhm	1%, 0.25W, MF
R...110	57.11.3102	1 KOhm	1%, 0.25W, MF
RA....1	1.775.340.01	1*10 KOhm	pos.log
RA....2	1.775.350.01	2*10 KOhm	pos.log
S.....1	55.15.0110		1*2u
S.....2	55.15.0110		1*2u
S.....3	55.15.0110		1*2u
S.....4	55.15.0110		1*2u
S.....5	55.03.0286		Power Switch
W.....1	1.775.450.93		Wire List

KG 92/01/2200

EL=Electrolytic, C=Ceramic, PETP=Polyester, MF=Metal Film

MANUFACTURER: Ra=Raytheon, Mot=Motorola, Sig=Signetics

END



Nr. Etikette
nach Fabrikationsmuster aufgeklebt.

Werkstoff	Norm-Nr.:	Güte:	Änderung	3
Zugehörige Unterlagen:	DIN-Bez.:	Beh.:	8.1.91	2
PL	Abmessung:	Freimasttoleranz:	13.6.89	1
Ersatz für:	Maßstab:	±	Datum	0
	2:1	±	Gez.	Index
	Ersatz durch:	Kopie für:	Gepr.	Ges.
STUDER REGENSDORF ZÜRICH		Nummer: 1.775.470-00		

1.775.470.00 CR-MONITOR UNIT

Ad	..Pos..	...Ref.No...	Description
C.....1	59.06.0474	470 nF	10%, 50V, EL
J.....1	54.14.2072	16-Pole	PCB Connector for Flat-Cable
J.....2	54.01.0246	5-Pole	CIS
J.....3	54.01.0306	8-Pole	CIS
J.....4	54.01.0263	7-Pole	CIS
MP....1	1.775.470.11		CR MONITOR
MP....2	1.775.470.01		U-Profile
MP....3	21.38.1352	2 pcs	Screw
MP....4	1.775.470.02		Nr.Label
R.....1	57.11.3223	22 KOhm	1%, 0.25W, MF
RA....1	1.775.350.01	2x10KOhm	pos.log
S.....1	55.15.0031	6x2u	Push Button

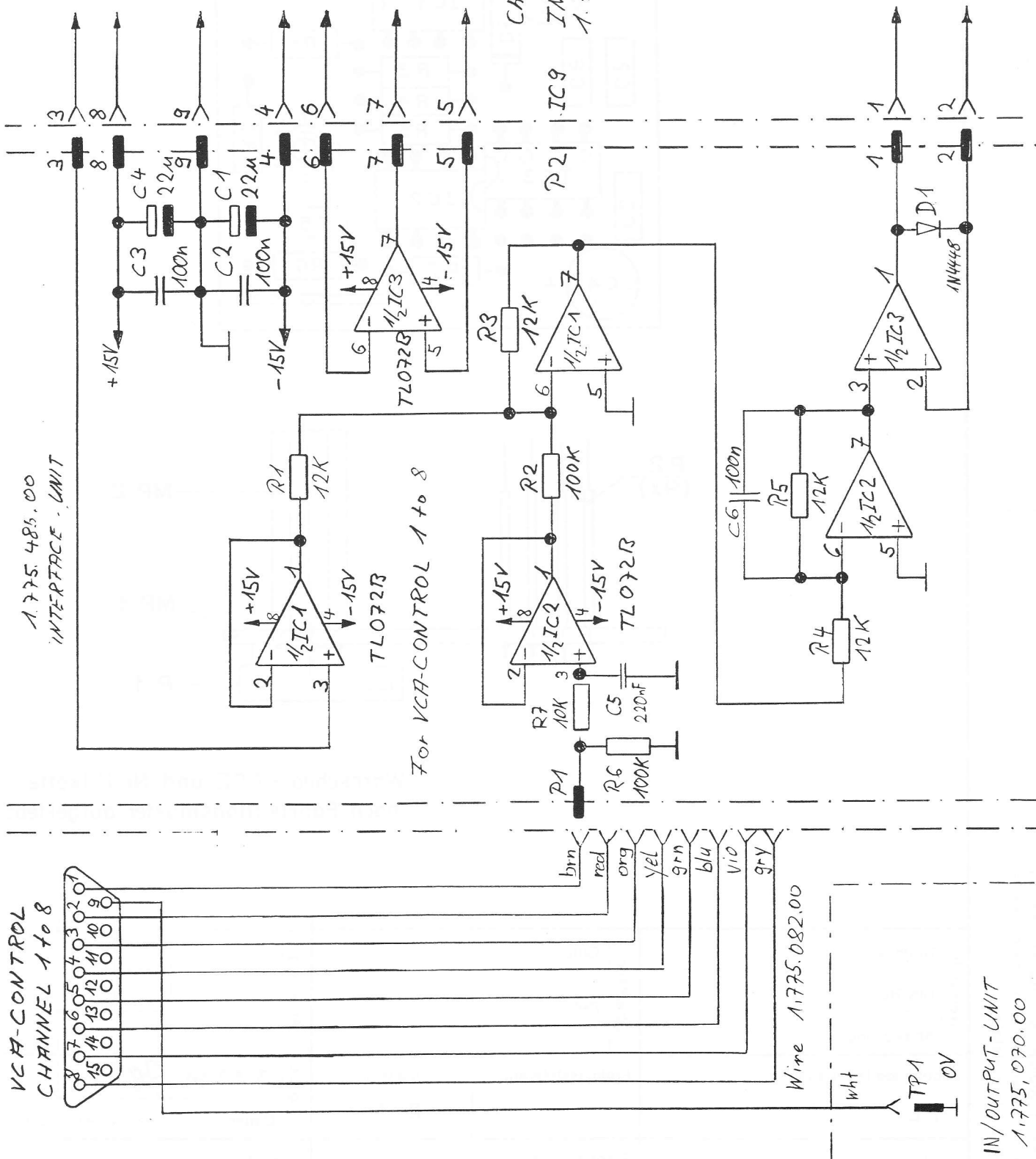
UL89/02/0900

MF=Metal-film, El=Electrolytic

END

A 779/
MR 8-2

Channel 1 to 8
INPUT - UNIT
1.775.420.81



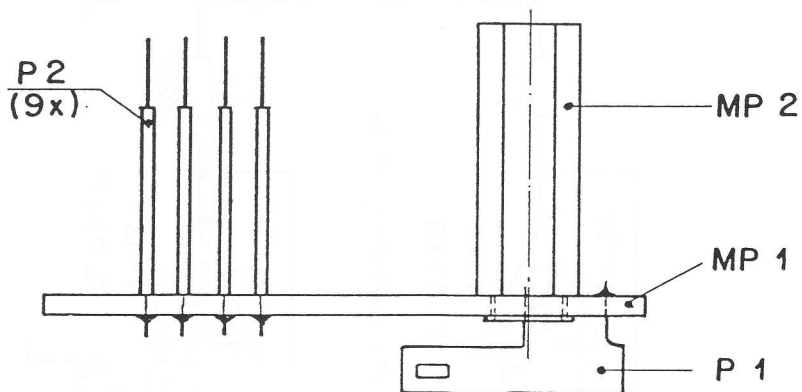
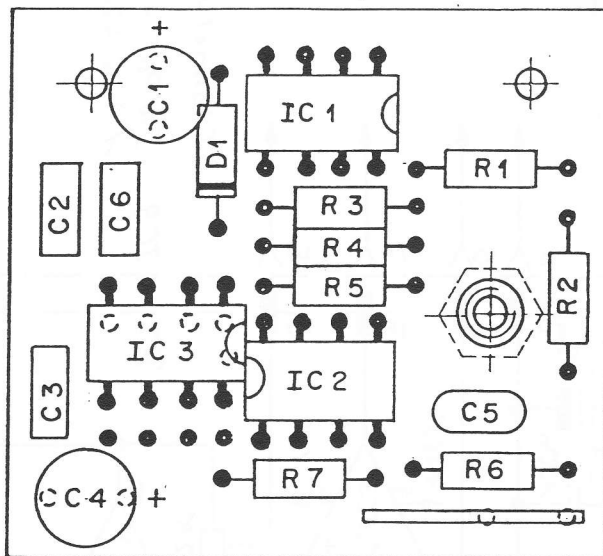
1.775.485.00
INTERFACE - UNIT

For VCA-CONTROL 1 to 8

VCA-CONTROL
CHANNEL 1 to 8

Wire 1.775.082.00

IN/OUTPUT-UNIT
1.775.070.00



Warnschild - ESE und Nr. Etikette
nach Fabrikationsmuster aufgeklebt

Werkstoff	Norm-Nr.:	Oberfläche	Güte:	Änderung					③	
	DIN-Bez.:		Beh.:							②
	Abmessung:									
Zugehörige Unterlagen:		Freimasstoleranz:	Maßstab:	Ausgabe	3.12.91	<i>JH</i>			④	
PL		±	2:1	Datum	Gez.	Gepr.	Ges.	Index		
Ersatz für:		Ersetzt durch:		Kopie für:						
STUDER REGENSDORF ZÜRICH		Benennung: Interface - Unit ESE			Nummer: 1.775.485-OC					

Weitergabe, Vervielfältigung oder Nachdruck nicht gestattet
 All rights for transmission, duplicating or reprint reserved
 Tous droits, distribution, cession et reproduction réservés
 Riproduzione è rimessa a terzi vietata

1.775.485.00 INTERFACE-UNIT

Ad	..Pos..	...Ref.No...	Description
C.....1	59.22.5220	22 uF	-20%, 25V, EL
C.....2	59.06.0104	100 nF	10%, 10V, PETP
C.....3	59.06.0104	100 nF	10%, 10V, PETP
C.....4	59.22.5220	22 uF	-20%, 25V, EL
C.....5	59.06.0224	220 nF	10%, 25V, PETP
C.....6	59.06.0104	100 nF	10%, 10V, PETP
D.....1	50.04.0125	1N4448	any
IC.....1	50.09.0121	TL072B	
IC.....2	50.09.0121	TL072B	
IC.....3	50.09.0121	TL072B	
MP....1	1.775.485.11		Interface Unit PCB
MP....2	1.010.050.22		Nut M3*18
MP....3	43.01.0108		ESE-Label
MP....4	1.775.485.01		Board-Label
P.....1	54.02.0328		AMP
P.....2	1.010.019.54	9Pin	
R.....1	57.11.3123	12 KOhm	1%, 0.25W, MF
R.....2	57.11.3104	100 KOhm	1%, 0.25W, MF
R.....3	57.11.3123	12 KOhm	1%, 0.25W, MF
R.....4	57.11.3123	12 KOhm	1%, 0.25W, MF
R.....5	57.11.3123	12 KOhm	1%, 0.25W, MF
R.....6	57.11.3104	100 KOhm	1%, 0.25W, MF
R.....7	57.11.3103	10 KOhm	1%, 0.25W, MF

KG92/01/2200

END